

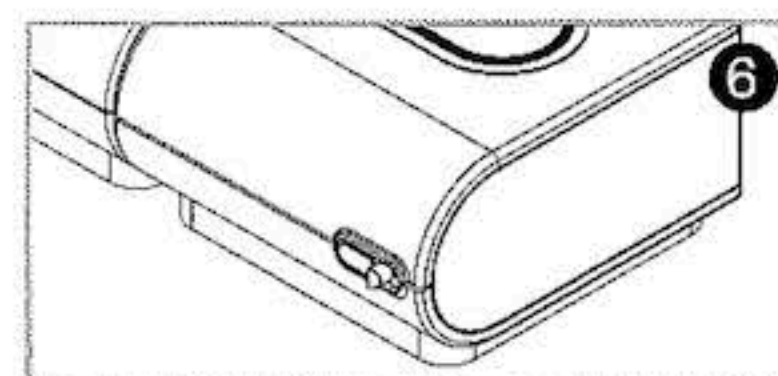
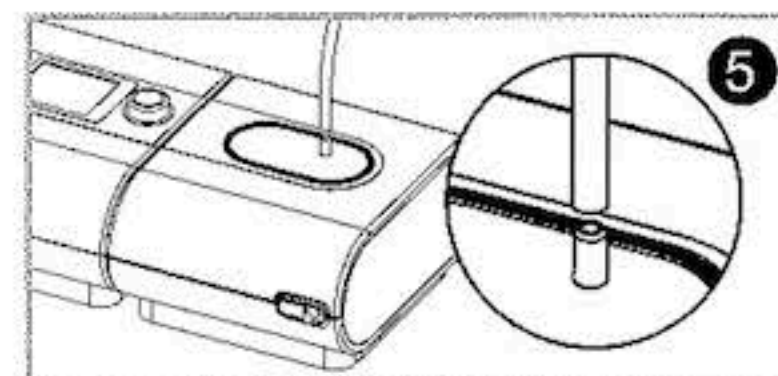
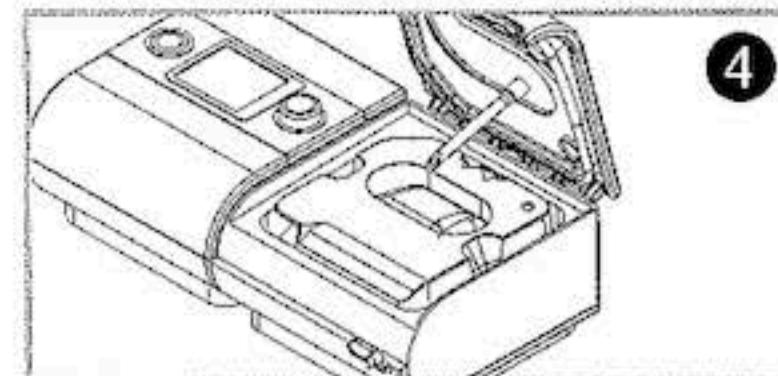
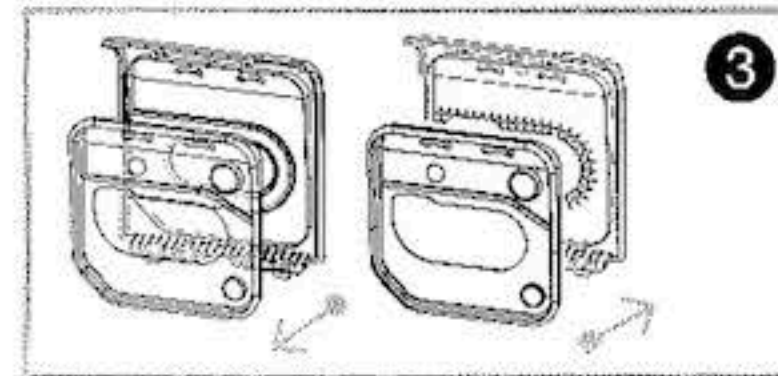
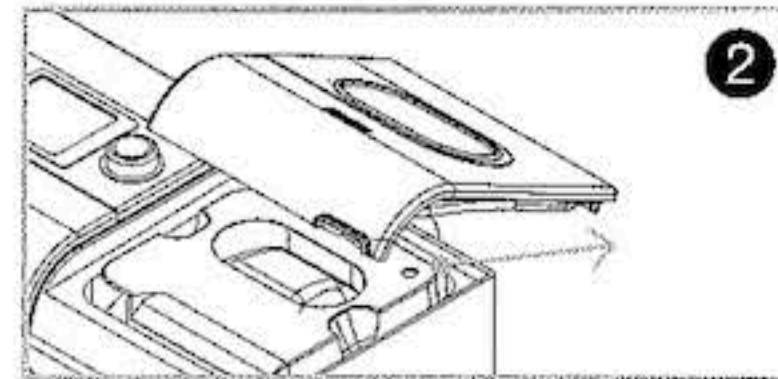
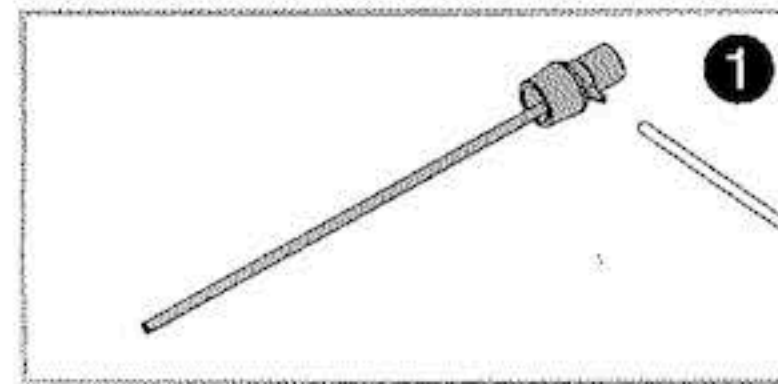
## SoClean Adapter for ResMed S9

The adapter for the Resmed S9 is a special lid with hose attached.

If you need help connecting your adapter, contact support at SoClean. (See reverse for contact information.)

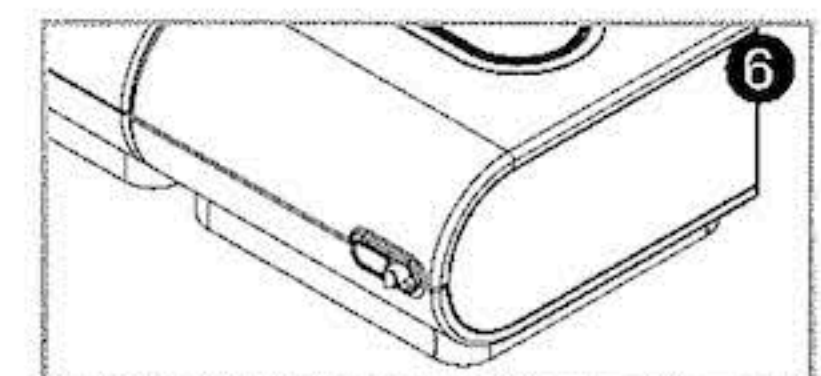
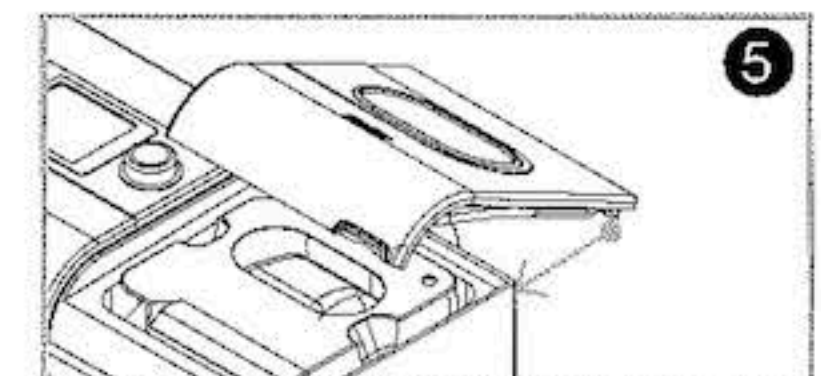
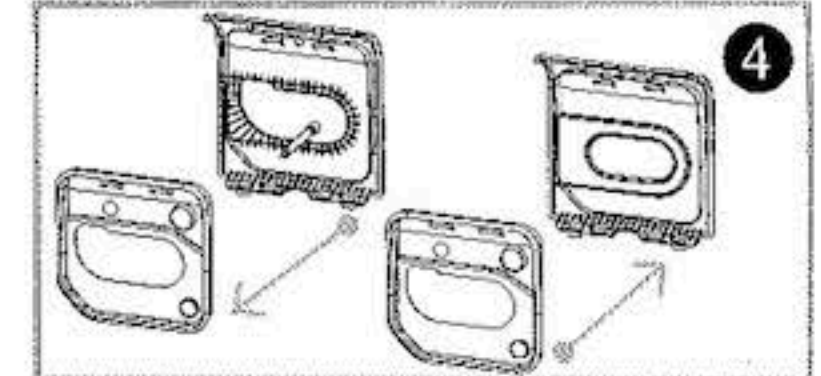
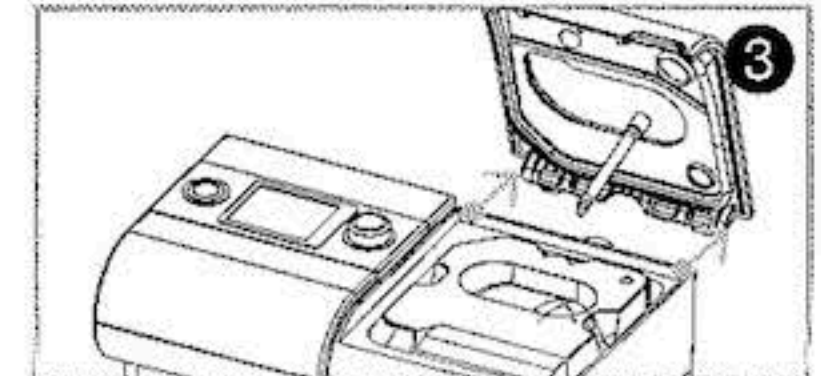
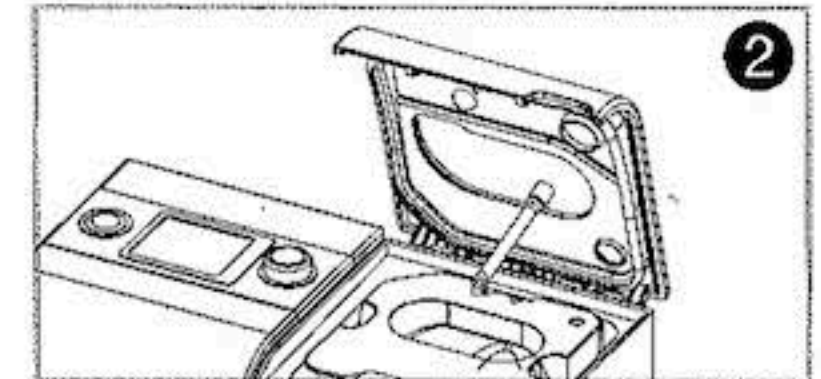
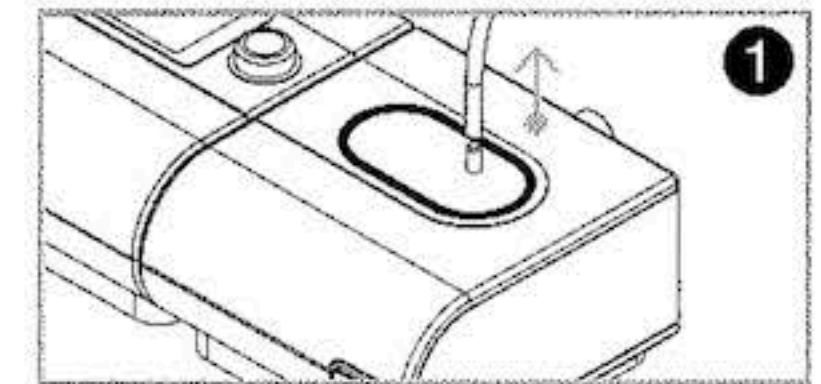
### Connecting the Adapter

1. Detach the injection fitting and short hose from the main SoClean hose. You will no longer need the injection fitting and short hose. Save these parts in case you need them in the future.
2. Remove the original lid from your humidifier by opening the lid fully, grasping it near the hinges and pushing firmly away from the unit.
3. Remove the silicone gasket from the original lid and install it onto the new lid, making sure the gasket lies flat and fits over the two tabs. Install the new lid with the black injection hose by lining up the hinges and pulling firmly toward you until you hear a clicking in both hinges.
4. Add water to your reservoir, if needed. When closing the new lid, make sure that the hose on the underside passes into the reservoir opening and rests near the bottom.
5. Attach the reservoir lid stem to the main tube connected to the check valve assembly.
6. To achieve the proper seal, firmly push down on the lid top until you hear a click. You are now ready to use the SoClean.



### Disconnecting the Adapter

1. Remove the main tube that is connected to the stem of the adapter by firmly pulling it off.
2. Open the adapter lid fully.
3. Remove the adapter lid by grasping it near the hinges and pushing firmly away from the unit.
4. Remove the silicone gasket from the adapter lid and install it onto your original reservoir lid making sure the gasket lies flat and fits over the two tabs.
5. Install your original reservoir lid by lining up the hinges and pulling firmly toward you until you hear a clicking in both hinges.
6. Close your reservoir lid.



[CLICK TO LEARN MORE](#)

**Important:** If you need to disconnect the SoClean from your adapter, please reinstall the original humidifier lid onto your CPAP machine. If you fail to do this, the water in your humidifier will be pushed out through the hose and flooding will result. SoClean is not responsible for damage resulting from equipment mishandling.