

SoClean Adapter and Diffuser
for Respiration System One and DreamStation

INSTRUCTIONS



CLICK TO LEARN MORE



Connecting to Respiration System One and DreamStation

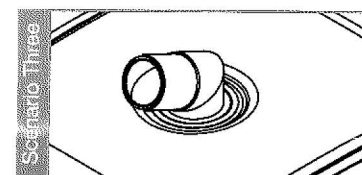
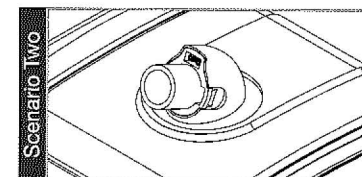
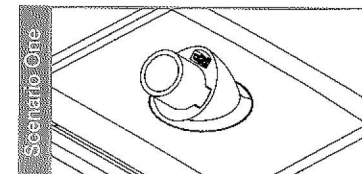
To begin, we'll need to identify if you need to use the **adapter** or the **diffuser**.

Start by disconnecting your CPAP hose from the reservoir. Now, take a close look at the port on your reservoir to identify how you should proceed.

If you are using a **DreamStation** machine, proceed to Scenario One.

If you are using a **System One machine** with a **heated hose connection**, proceed to Scenario Two.

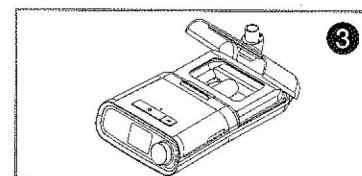
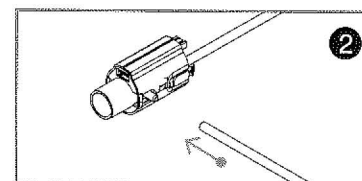
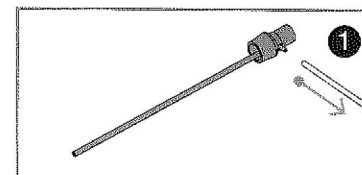
If you are using a **System One machine** with a **standard hose connection**, proceed to Scenario Three.



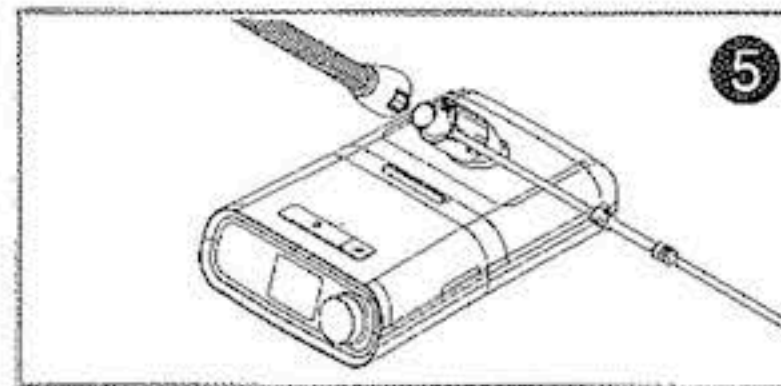
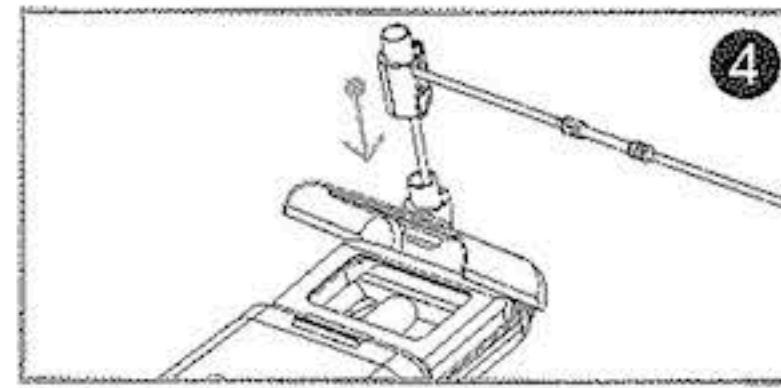
SCENARIO ONE

Connecting the Adapter: DreamStation

1. Detach the injection fitting and short hose from the main SoClean hose. You will no longer use the injection fitting and short hose. Save these parts in case you need them in the future.
2. Connect the main hose from the SoClean to the stem on the side of the adapter.
3. Open the reservoir lid.

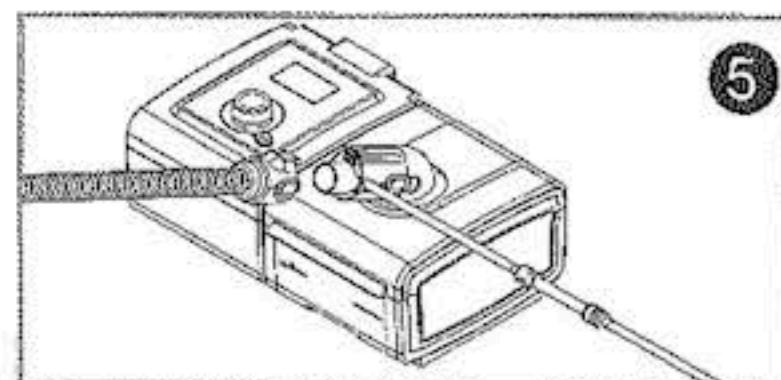
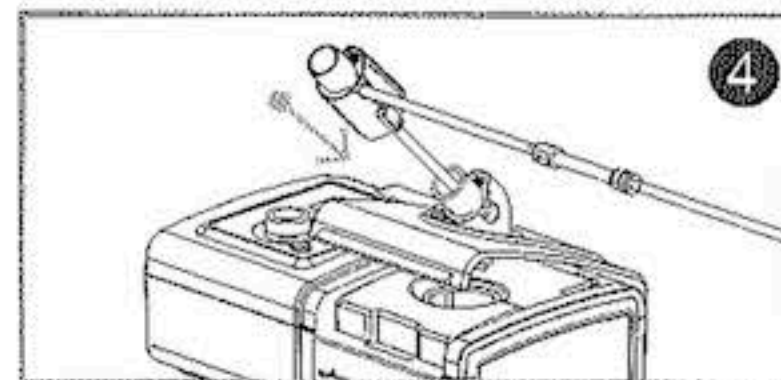
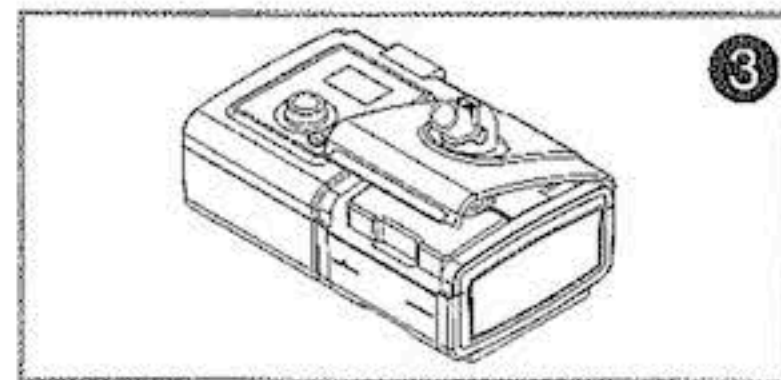
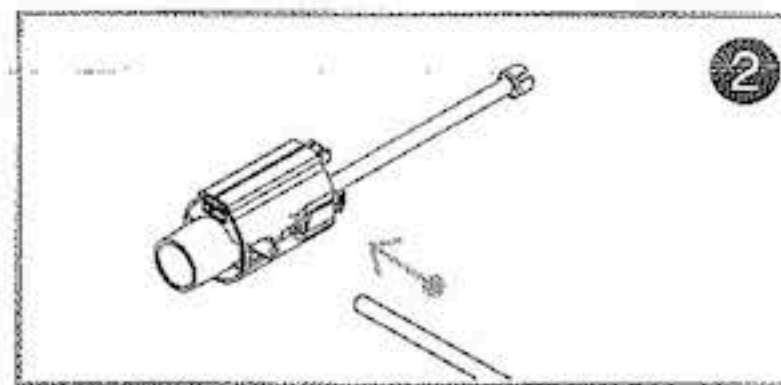


4. Feed the injection hose down into your reservoir through the port. Attach the adapter to your reservoir. Note: Do not detach the injection hose from the adapter at any point.
5. Close the reservoir lid and attach the CPAP hose to the adapter. You are now ready to use the SoClean.



SCENARIO TWO Connecting the Adapter: System One with a heated hose connection

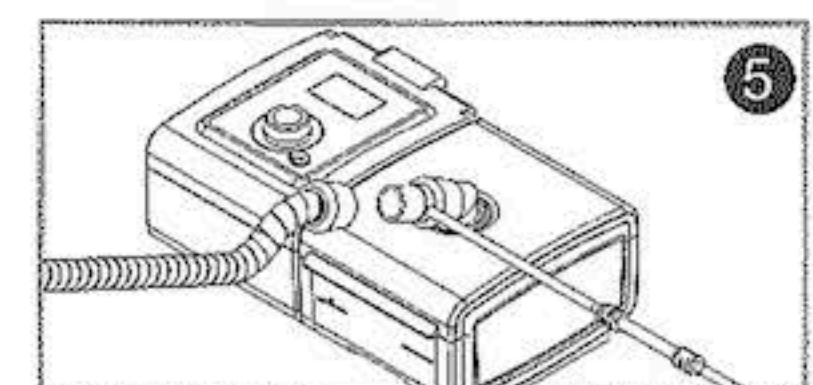
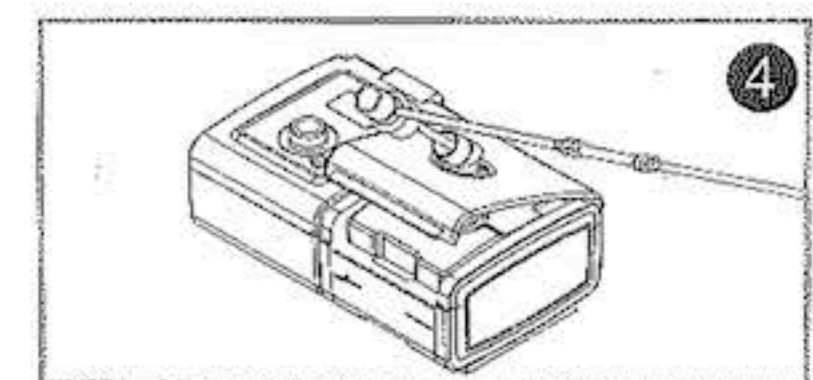
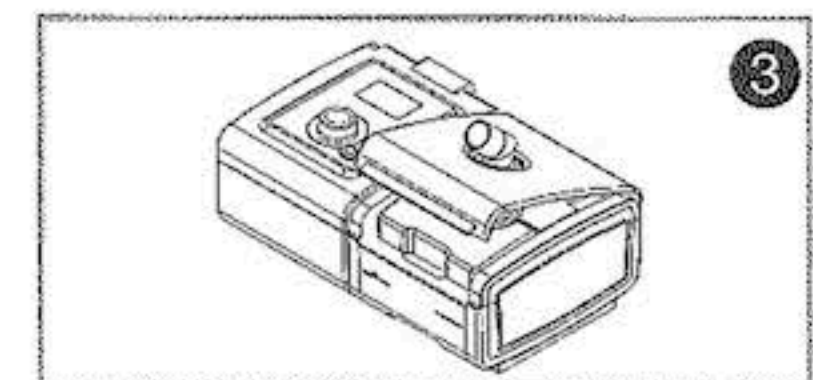
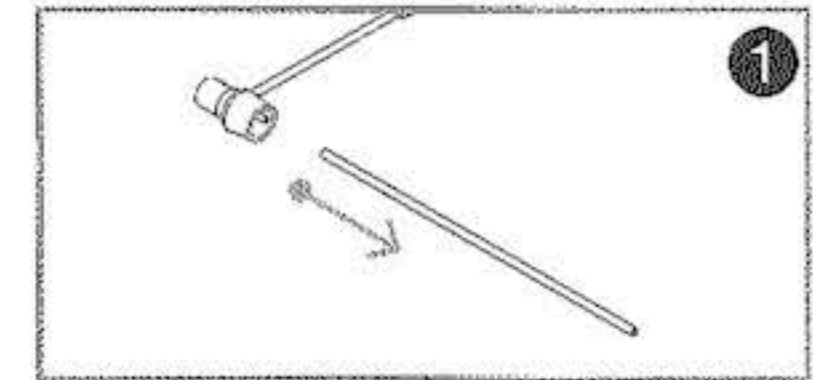
1. Detach the injection fitting and short hose from the main SoClean hose. You will no longer use the injection fitting and short hose. Save these parts in case you need them in the future.
2. Connect the main hose from the SoClean to the stem on the side of the adapter.
3. Open the reservoir lid.
4. Feed the injection hose down into your reservoir through the port. Attach the adapter to your reservoir. Note: Do not detach the injection hose from the adapter at any point.
5. Close the reservoir lid and attach the CPAP hose to the adapter. You are now ready to use the SoClean.



SCENARIO THREE Connecting the Diffuser: System One with a standard hose connection

For this scenario, you won't need the adapter. You'll only need the **diffuser**: the short length of hose with a clear plastic fitting on the end.

1. Detach the short hose from the inner stem of the injection fitting.
2. Attach the diffuser to the stem on the inside of the injection fitting. You may use a little water as a lubricant to make it easier.
3. Open the reservoir lid.
4. Feed the diffuser down into your reservoir through the port, until the clear plastic end rests at the bottom of the reservoir. Attach the injection fitting to your reservoir.
5. Close the reservoir lid and attach the CPAP hose to the injection fitting. You are now ready to use the SoClean.



If you need help connecting your adapter or diffuser, contact support at SoClean. (See reverse for contact information.)