

HC230 SERIES



Operating Manual

Manuel de l'utilisation

Manual del Usuario



Presented With Compliments From
www.DirectHomeMedical.com

Fisher & Paykel
HEALTHCARE

SECTION

English · · · · ·

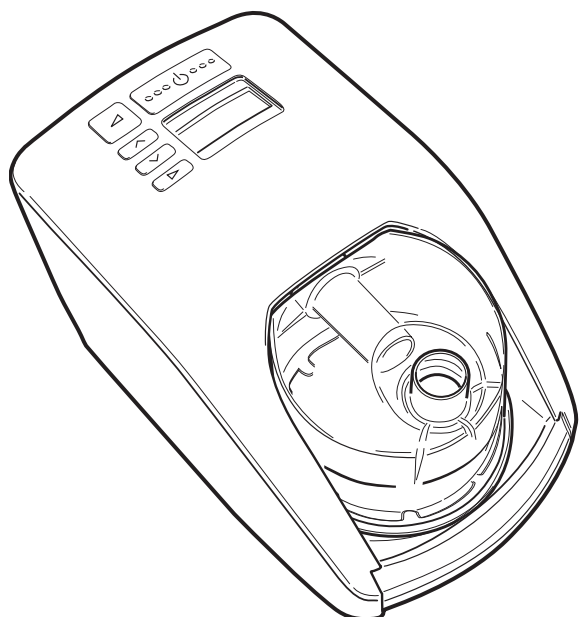
A

Français · · · · ·

B

Español · · · · ·

C



HC230 SERIES

HUMIDIFIED CPAP SYSTEMS

The HC230 series are a range of CPAP systems designed for use in the home for the treatment of OSA.

For further assistance, please contact your local F&P office – see reverse for addresses. Please keep this manual for future reference.

TABLE OF CONTENTS

1. Symbol Definitions	2
2. Warnings	2
3. Oxygen Use Warnings	2
4. Intended Use	2
5. Description of the device	3
5.1 Important Parts of Your Device - Standard CPAP Range	3
5.2 Important Parts of Your Device -Integrated CPAP Range	3
5.3 Accessories	3
6. Cleaning & Maintenance	4
7. Setup Instructions	4
8. Controls and Display - Integrated CPAP Range	5
8.1 Display Descriptions and Functions	5
8.2 Patient Menu Summary - Integrated CPAP Range	6
8.3 Patient Menu - Additional Settings Summary- Integrated CPAP Range	6
9. Controls and Display - Standard CPAP Range	7
9.1 Display Descriptions and Functions	7
9.2 Patient Menu Summary - Standard CPAP Range	8
9.3 Patient Menu - Additional Settings Summary- Standard CPAP Range	8
10. Frequently Asked Questions	9
11. Product Specifications	9
12. Operating Conditions	10
13. Storage and Transport Conditions	10
14. Troubleshooting	10
15. Appendix	10

PLEASE READ ALL INSTRUCTIONS BEFORE INITIAL USE

Caution: USA Federal Law restricts this device for sale by or on the order of a physician.

1. SYMBOL DEFINITIONS



Type BF
Applied Part



ATTENTION
Consult
accompanying
documents



IPX1
Drip Proof



Alternating
Current



Class II
Double Insulated



Standby or
On/Off

CE 0123

93/42/EEC
Class IIb

2. WARNINGS

PLEASE NOTE:- This manual refers to the HC230 Series CPAP unit as "the device".

1. The device should only be used with masks, connectors and delivery tubes recommended by Fisher & Paykel Healthcare, or by your physician or respiratory therapist.
2. Never operate the device if:
 - a) it has a damaged power cord or plug, b) the tube has been damaged with holes, tears or kinks, c) it has been dropped or damaged, d) it has been dropped into water, e) it is not working properly, f) it is connected to a PC during CPAP treatment.Return the device to an authorised service center for examination and repair.
3. Do not use the device when the room temperature exceeds 35°C (95°F) as this may lead to an elevated airflow temperature which may give rise to an irritation of the airways.
4. Ensure an air filter is fitted when operating your unit.
- *5. Remove the humidification chamber before filling.
- *6. Do not fill the chamber with boiling water.
- *7. When handling the device with chamber and water avoid tilting the machine to prevent any chance of water entering the unit enclosure.
- *8. Place your device on a level surface lower than your head height to prevent water entering the respiratory tubing should the device be knocked over.
9. Do not store or use your device where it can fall or be pulled into water. If water has entered the unit enclosure, disconnect the power cord and discontinue use. Seek advice from your homecare provider.
10. Never block the air openings of the device or place it on a soft surface such as a bed or couch, where the filter area may be blocked. Keep the air openings free of lint, hair or the like.
11. Ensure that the unit is dry before plugging into the power socket.
12. A mask should not be used unless the device is switched on, and operating properly. The vent hole(s) associated with the mask should never be blocked.
13. Due to the operating temperature of the heater plate, avoid making contact to the exposed heater plate or chamber base.
14. At low CPAP pressures, the flow through the mask may be insufficient to clear all exhaled gas from the tubing, and consequently some re-breathing may occur.
15. Adjusting the pressure control can result in ineffective therapy. The pressure control must only be adjusted by a healthcare professional.
16. Never drop or insert any object into any opening or tube.
17. Always switch off the device and unplug the power cord from the power socket before cleaning.
- *18. Empty all the water from the chamber before transporting your device.
19. Refer all maintenance to qualified service personnel except as outlined in this manual.

*** Only applicable to integrated CPAP devices**

3. OXYGEN USE WARNINGS

If supplemental oxygen is used with the device, the oxygen flow must be turned off when the device is not operating. This ensures that oxygen will not flow through the tube and accumulate in the device enclosure.

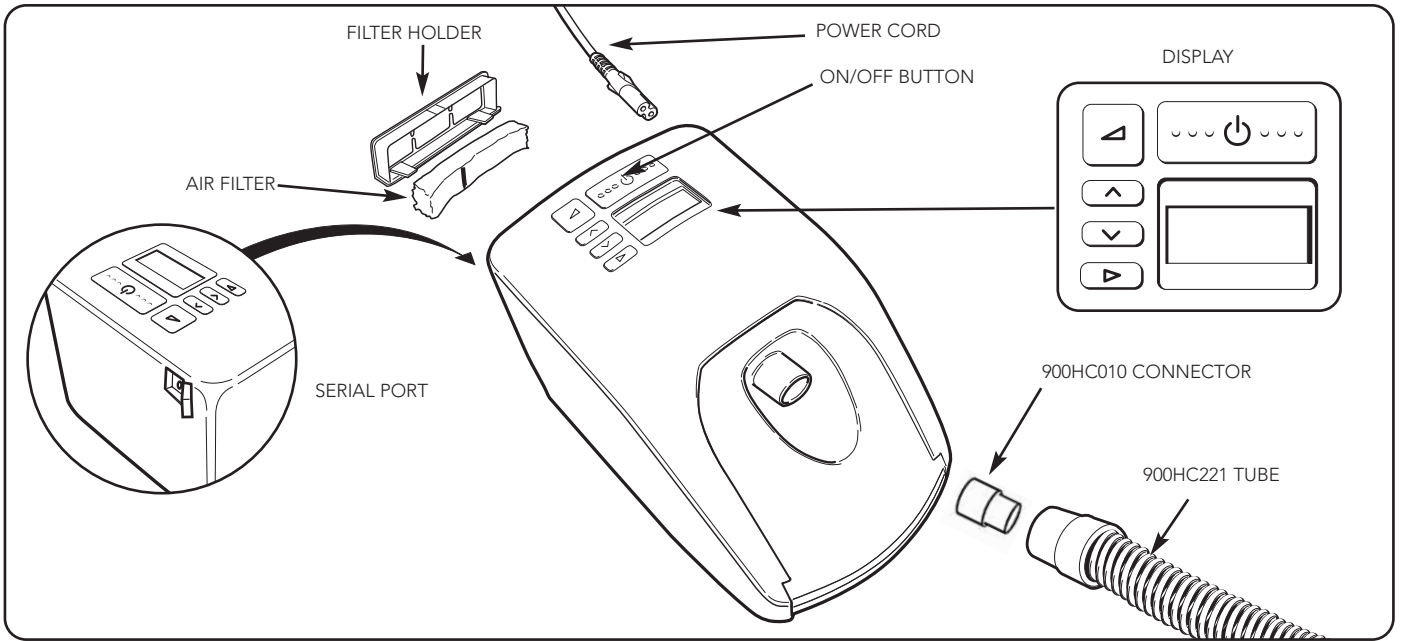
- The device should be located in a position where ventilation around the device is not restricted.
- It is recommended that supplemental oxygen be administered at the mask.
- Oxygen should not be used while smoking or in the presence of an open flame.
- The use of oxygen in therapy requires that special care be taken to reduce the risk of fire. Any materials which will burn in air and some that will not are easily ignited and burn rapidly in high concentrations of oxygen. Accordingly, for safety it is necessary that all sources of ignition be kept away from the product and preferably out of the room in which it is being used.
- A spontaneous and violent ignition may occur if oil, grease or greasy substances come in contact with oxygen under pressure. These substances must be kept away from oxygen regulators, cylinder valves, tubing and connections, and all other oxygen equipment.
- At a fixed flow rate of supplemental oxygen flow, the inhaled oxygen concentration will vary, depending on the pressure settings, patient breathing pattern, mask selection and leak rate.

4. INTENDED USE

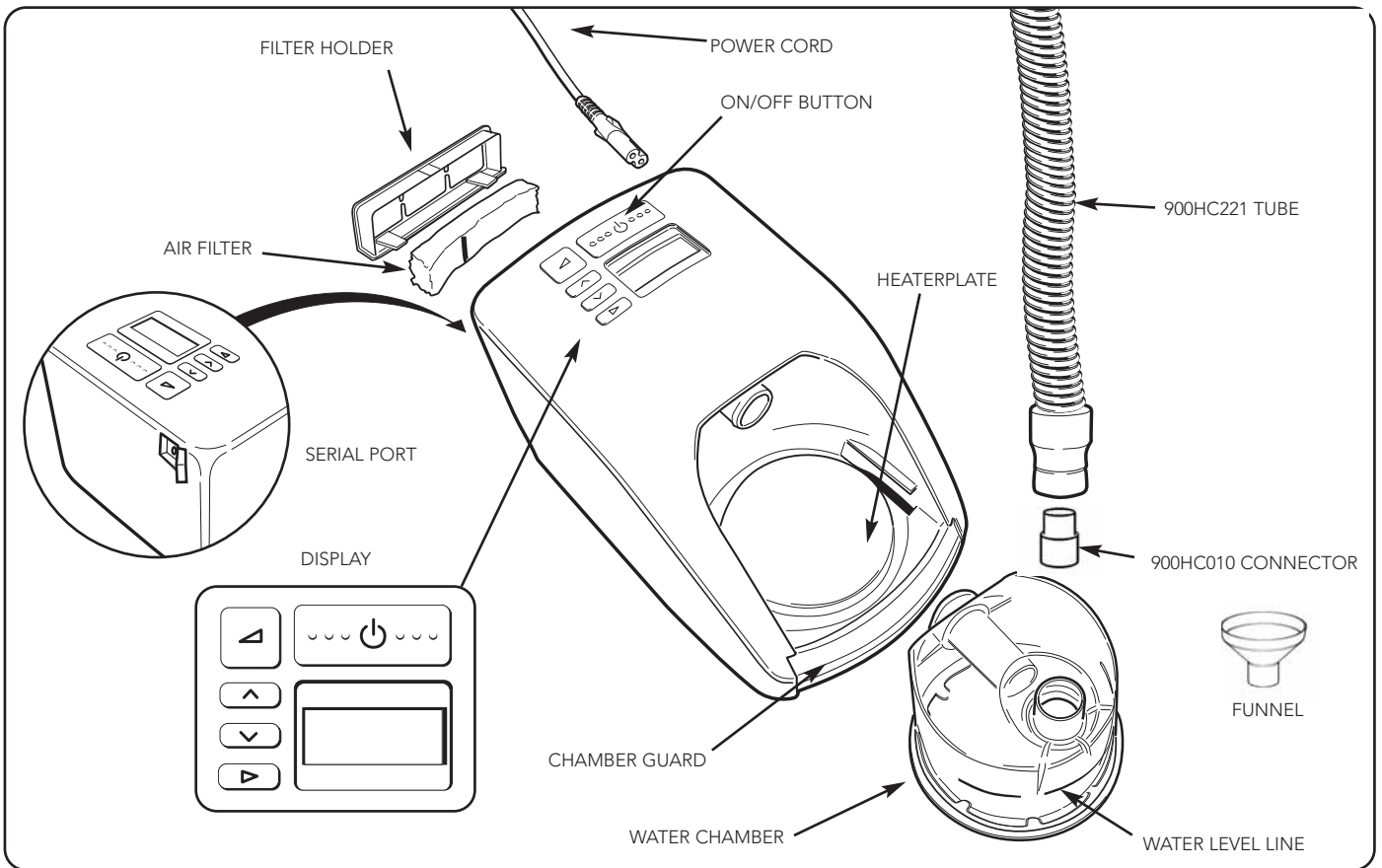
The device is used to assist with patient breathing while sleeping, for the purpose of treating Obstructive Sleep Apnea (OSA). This is done by the delivery of Continuous Positive Airway Pressure (CPAP) in order to prevent airway obstruction. The addition of heated respiratory humidification to the device relieves the drying and irritating effects on the patient airways which usually arises from use of a CPAP system. The CPAP device is for use on adult patients at home or in the sleep lab. Please refer to the HC230-Series Product range listed in the Appendix section of this manual.

5. DESCRIPTION OF THE DEVICE

5.1 Important Parts of Your Device - Standard Range



5.2 Important Parts of Your Device - Integrated Range



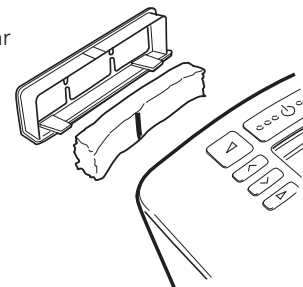
5.3 Accessories

HC385S	Standard Humidification Chamber
HC355*	Extended Life Humidification Chamber
900HC010	Connector
900HC221	Tube
900HC240	Filter

900HC230	Compliance Maximizer Software
900HC232	Compliance Download Serial Cable
HC225	Remote Control (Laboratory)
900HC226	Lead Extension Kit for HC225
*Not available in all countries	

6. CLEANING & MAINTENANCE

1. Switch off the device and unplug from the power socket.
2. Wipe the exterior of the device with a clean, damp (not wet) cloth and mild dishwashing detergent. Do not use harsh abrasives or solvents, as these may damage the device.
3. DAILY
Clean chamber and tube.
 - Remove the breathing tube from the chamber.
 - Rinse the tube with soapy water. Hang – up hose with hose ends pointing to floor to dry.
 - Remove the chamber by pushing down the finger guard and pulling out the chamber.
 - Pour out & discard the remaining water.
 - Clean the chamber with soapy water, rinse and dry.
4. WEEKLY
Thoroughly clean the chamber
 - Soak the inside of the chamber for 10 minutes in a solution of one part white vinegar to two parts water.
5. Replace the air filter when it becomes significantly discoloured, at least once every 3 months or after 1000 hours machine running time.
 - Remove the filter holder from the back of the device and take out the filter.
 - Replace the old filter with a new filter: Ensure the vertical black line is facing towards the device.



7. SETUP INSTRUCTIONS

HOW TO SET UP YOUR SYSTEM

1. Remove your device from its packaging.
2. Place the device on a low shelf or on the floor beside your bed, so that the device is positioned below head height.
3. Chamber Setup (only applicable to integrated CPAP devices)
 - a. Remove one water chamber from the packaging.
 - b. Remove the blue caps and discard them (Fig.1).
 - c. Fill the chamber up to the water filling line with distilled water only (Fig.2).

Never fill the chamber while it is attached to the device.
When moving your device, ensure that the water chamber is empty. Machine failure due to water damage is not covered by warranty.

 - d. To attach the water chamber to the device, press down the finger guard and slide the chamber on (Fig.3) (Fig. 4).
 - e. When the chamber is fitted correctly, the finger guard will click into place.
4. One end of the tube has a white plastic connector. Push this onto the outlet on top of the chamber (Fig.5) or CPAP outlet (Fig.5a) .
5. Connect the other end of the tube to the mask.
6. Plug the device power cord into your household power socket and into the rear of the device.
7. Switch on the device by pressing the on/off button (See Fig.6). The current humidity setting is displayed.
8. For changing the setting refer to section 8 "Controls and Display".

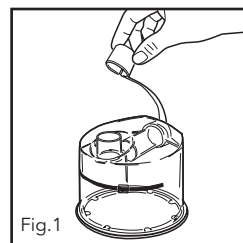


Fig.1

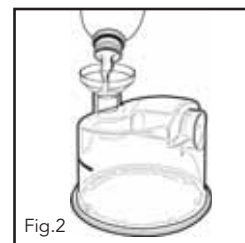


Fig.2

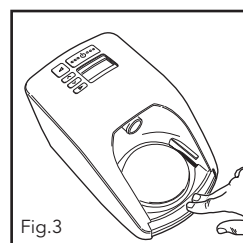


Fig.3

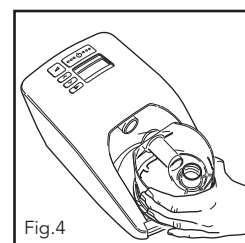


Fig.4

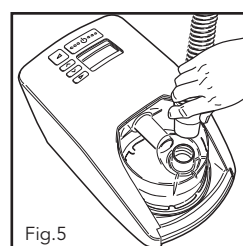


Fig.5

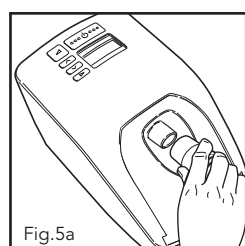


Fig.5a

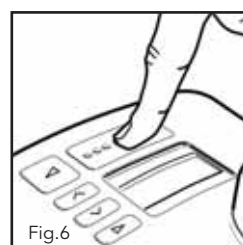
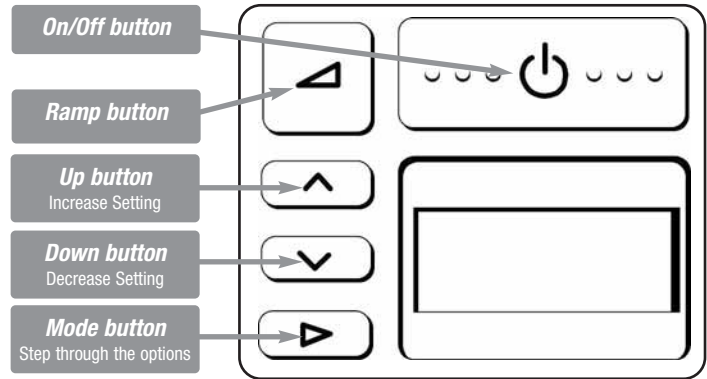


Fig.6

Your device is now ready for use.

8. CONTROLS AND DISPLAY - INTEGRATED CPAP RANGE

8.1 DISPLAY DESCRIPTION AND FUNCTIONS



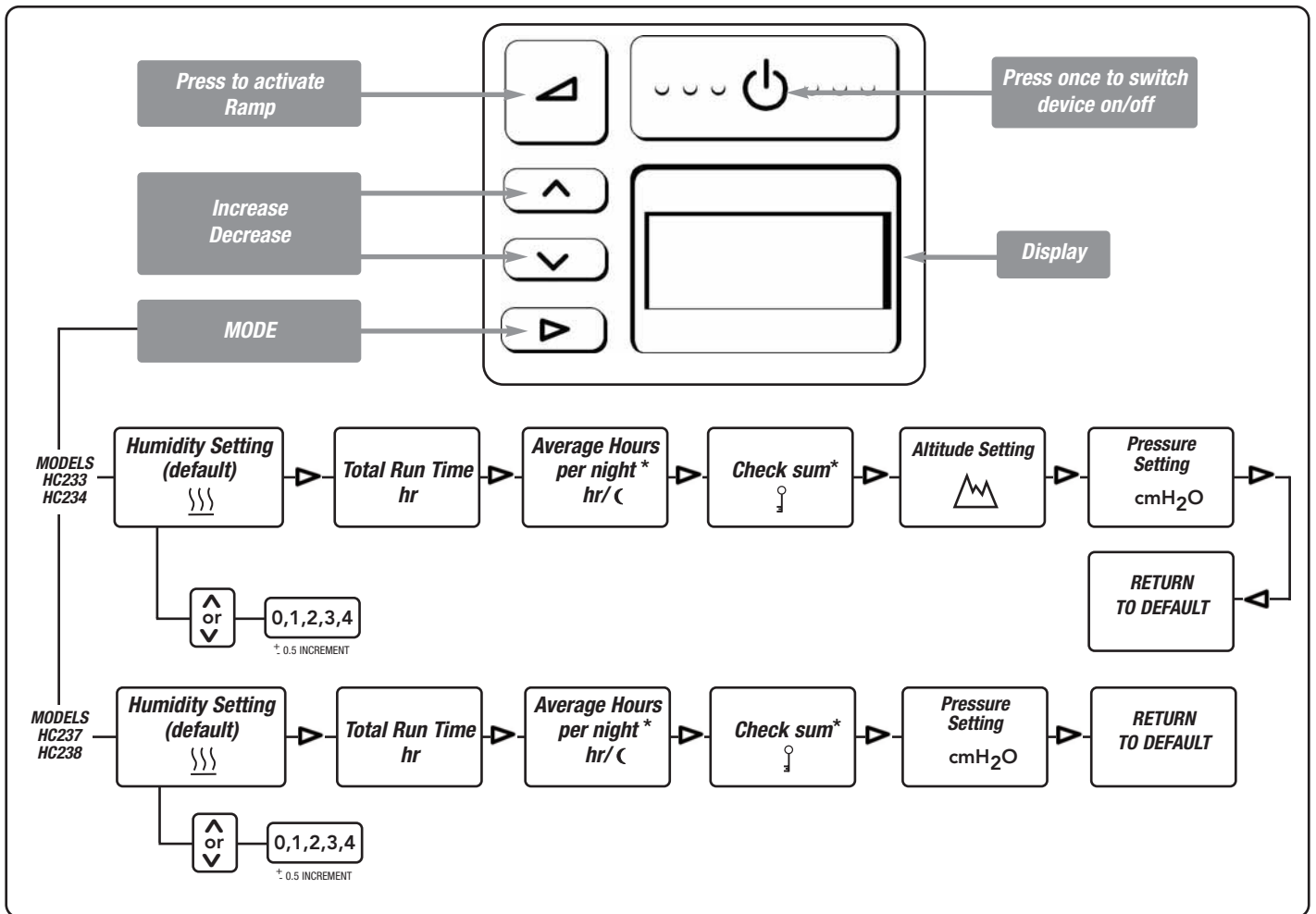
KEY	FUNCTION & DESCRIPTION	OPERATION
	ON/OFF Switches the device ON & OFF	TO SWITCH "ON" <ul style="list-style-type: none"> Press briefly The device will default to display the humidity setting. TO SWITCH "OFF" <ul style="list-style-type: none"> Remove your mask Press briefly
	RAMP Reduces pressure to a lower level to help you fall asleep. The pressure will gradually return to full operating pressure over 20 minutes	TO START THE RAMP <ul style="list-style-type: none"> Press the button NB: to reset ramp during a cycle the device must be switched off first TO SWITCH "OFF" <ul style="list-style-type: none"> Press the button
	INCREASE/DECREASE Adjusts settings up or down	<ul style="list-style-type: none"> Press the and button to raise or lower settings
	MODE To step through options	<ul style="list-style-type: none"> Press sequentially to step through and view options available

PATIENT MENU	DISPLAY	OPERATION
For viewing of CPAP settings, humidity, compliance data, altitude and pressure settings		TO VIEW ITEMS Press the "" button to sequentially view:
		<ul style="list-style-type: none"> Humidity Setting (default display) For adjusting humidity levels to minimize upper airway side effects from CPAP use. Press and buttons to raise or lower settings
	hr	<ul style="list-style-type: none"> Total run hours Displays the total number of hours the device has been switched on (includes hours without mask use)
	hr/☾	<ul style="list-style-type: none"> Average compliance hours per night* Displays average number of hours the device has been used at night with the mask on
		<ul style="list-style-type: none"> Checksum* Displays information for medical practitioner or dealer use to check compliance
		<ul style="list-style-type: none"> Altitude setting Displays altitude setting
	cmH ₂ O	<ul style="list-style-type: none"> Pressure setting Displays pressure setting

PATIENT MENU - ADDITIONAL SETTINGS	DISPLAY	OPERATION
<ul style="list-style-type: none"> To access additional settings: From the Default setting "HUMIDITY" Press the "" key for 3 seconds To view subsequent items: Press the "" key. 		<ul style="list-style-type: none"> Altitude Select "m" for metres of "ft" for feet using the and keys
	3000	<ul style="list-style-type: none"> Altitude level <ul style="list-style-type: none"> - Press to change altitude level - Set the altitude level by pressing the and keys - Press to exit menu NOTE: Failure to select correct altitude setting (for any given location) will have an adverse effect on delivered pressure.
	cmH ₂ O	<ul style="list-style-type: none"> Actual Pressure Displays actual pressure NOTE: Only available on devices with Automatic Altitude Adjustment/Leak Compensation feature

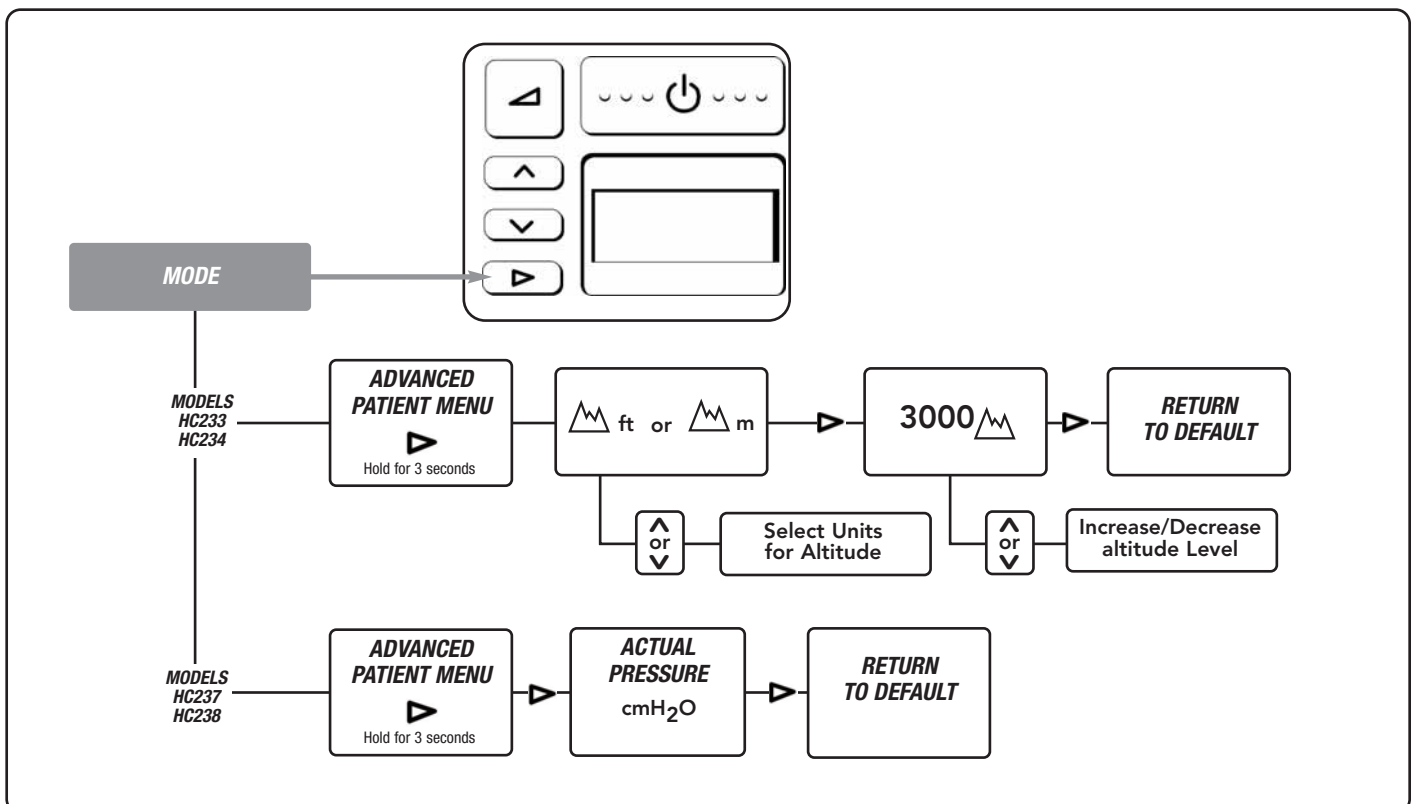
● **NOTE: Manual adjustment of altitude is not featured on units where there is the Automatic Altitude Adjustment/Leak Compensation feature**
 ● * Only available on devices with Compliance Monitoring.

8.2 PATIENT MENU SUMMARY - INTEGRATED CPAP RANGE



* Only available on devices with Compliance Monitoring.

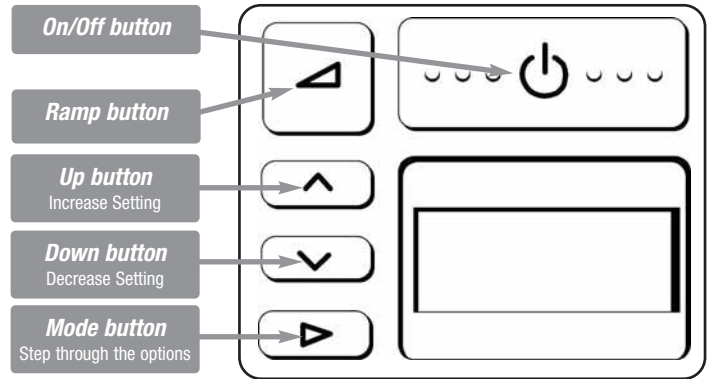
8.3 PATIENT MENU - ADDITIONAL SETTINGS SUMMARY - INTEGRATED CPAP RANGE



● **Warning:** Failure to select correct altitude setting (for any given location) will have an adverse effect on delivered pressure.

9. CONTROLS AND DISPLAY - STANDARD CPAP RANGE

9.1 DISPLAY DESCRIPTION AND FUNCTIONS



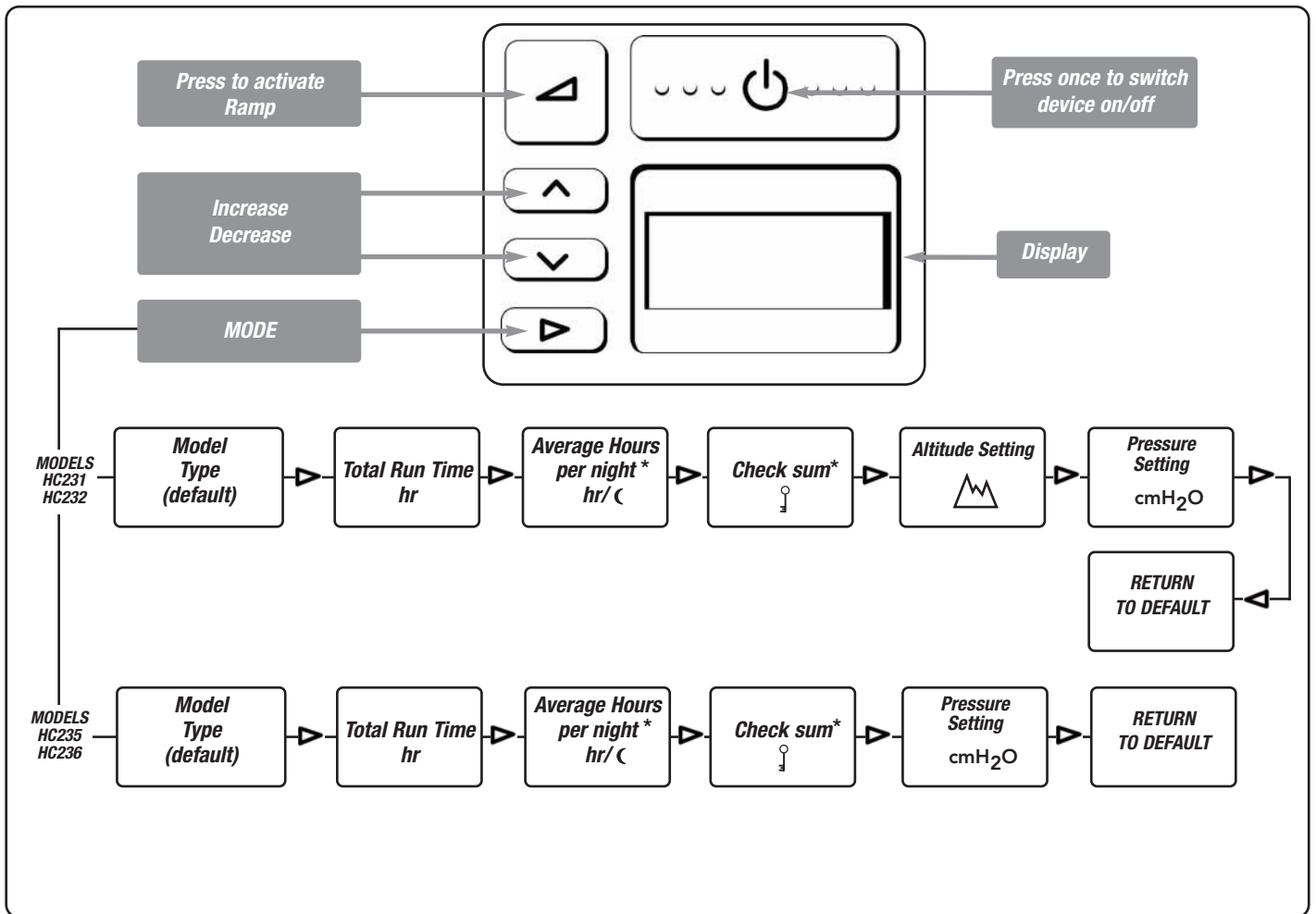
KEY	FUNCTION & DESCRIPTION	OPERATION
	ON/OFF Switches the device ON & OFF	TO SWITCH "ON" <ul style="list-style-type: none"> ● Press briefly ● The device will default to display the humidity setting. TO SWITCH "OFF" <ul style="list-style-type: none"> ● Remove your mask ● Press briefly
	RAMP Reduces pressure to a lower level to help you fall asleep. The pressure will gradually return to full operating pressure over 20 minutes	TO START THE RAMP <ul style="list-style-type: none"> ● Press the button NB: to reset ramp during a cycle the device must be switched off first TO SWITCH "OFF" <ul style="list-style-type: none"> ● Press the button
	INCREASE/DECREASE Adjusts settings up or down	<ul style="list-style-type: none"> ● Press the and button to raise or lower settings
	MODE To step through options	<ul style="list-style-type: none"> ● Press sequentially to step through and view options available

PATIENT MENU	DISPLAY	OPERATION
For viewing of CPAP settings, humidity, compliance data, altitude and pressure settings		TO VIEW ITEMS Press the "" button to sequentially view:
	23x	<ul style="list-style-type: none"> ● Model Type (default display) Displays model type as default setting
	hr	<ul style="list-style-type: none"> ● Total run hours Displays the total number of hours the device has been switched on (includes hours without mask use)
	hr/☾	<ul style="list-style-type: none"> ● Average compliance hours per night* Displays average number of hours the device has been used at night with the mask on
		<ul style="list-style-type: none"> ● Checksum* Displays information for medical practitioner or dealer use to check compliance
		<ul style="list-style-type: none"> ● Altitude setting Displays altitude setting
	cmH ₂ O	<ul style="list-style-type: none"> ● Pressure setting Displays pressure setting

PATIENT MENU - ADDITIONAL SETTINGS	DISPLAY	OPERATION
<ul style="list-style-type: none"> ● To access additional settings: From the Default setting Press the "" key for 3 seconds ● To view subsequent items: Press the "" key. 		<ul style="list-style-type: none"> ● Altitude Select "m" for metres or "ft" for feet using the and keys
	3000	<ul style="list-style-type: none"> ● Altitude level <ul style="list-style-type: none"> - Press to change altitude level - Set the altitude level by pressing the and keys - Press to exit menu NOTE: Failure to select correct altitude setting (for any given location) will have an adverse effect on delivered pressure.
	cmH ₂ O	<ul style="list-style-type: none"> ● Actual Pressure Displays actual pressure NOTE: Only available on devices with Automatic Altitude Adjustment/Leak Compensation feature

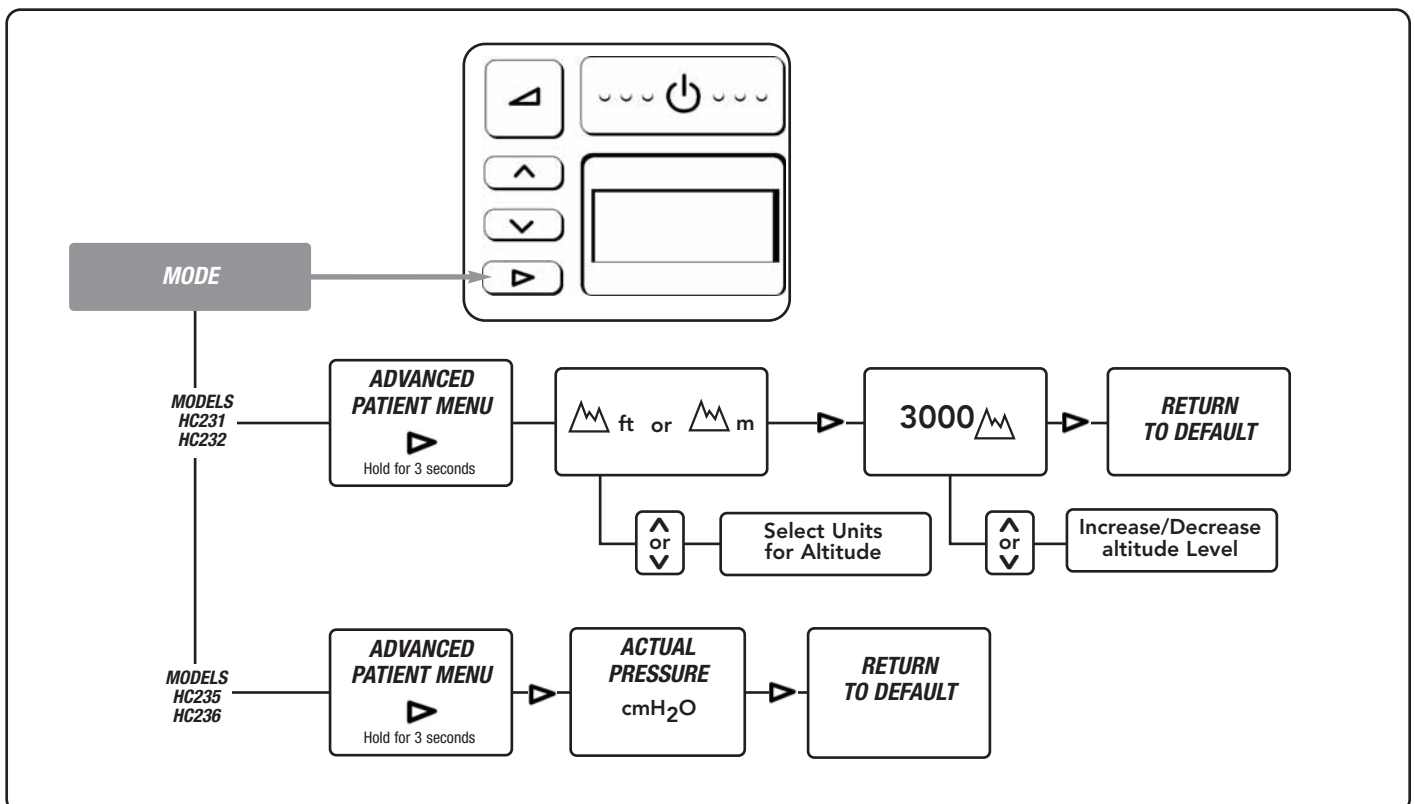
● **NOTE: Manual adjustment of altitude is not featured on units where there is the Automatic Altitude Adjustment/Leak Compensation feature**
 ● * Only available on devices with Compliance Monitoring.

9.2 PATIENT MENU SUMMARY - STANDARD CPAP RANGE



* Only available on devices with Compliance Monitoring.

9.3 PATIENT MENU - ADDITIONAL SETTINGS SUMMARY - STANDARD CPAP RANGE



● **Warning:** Failure to select correct altitude setting (for any given location) will have an adverse effect on delivered pressure.

10. FREQUENTLY ASKED QUESTIONS

● For integrated CPAP devices:

a. When I wake up in the morning, my nose and throat feel dry. What can I do?

Try increasing your humidity setting. If this does not help, please contact your clinician for advice.

b. How do I prevent condensation in the tubing?

The humidity setting enables adjustment of humidity, so that there should be fine misting in the six inches (183cm) of the breathing tube closest to your face. If the humidity setting is too high for the conditions, condensation may occur in the breathing tube.

Note: Using greater than 6' (183 cm) of tubing will increase condensation.

There are several ways of reducing condensation in the tube:

- i Ensure the device is not positioned in a cool draft.
- ii Decrease the humidity setting on your device slightly. Gradually decrease the setting until the condensation no longer occurs.
- iii Warm the air in the room.

c. Do I have to use distilled water with my device?

The use of distilled water will maximize the life of the water chamber. Water from the faucet will often contain minerals which can damage the chamber, causing pitting in the base, even if the water is passed through a filter.

d. When do I replace my water chamber?

Replace the chamber if the plastic walls of the chamber become cracked or cloudy or the chamber base becomes pitted. (Note: If the chamber leaks at all, it should be replaced immediately).

● Can I use my device in other countries?

Yes. Simply use the appropriate electrical socket adaptor and the device will automatically adapt to any voltage supply.

Note: When moving your device, ensure that the water chamber is empty. Machine failure due to water damage is not covered by warranty.

● Can I use supplemental oxygen with my device?

Yes, oxygen can be administered at the mask. Turn the device on before turning on the oxygen. Ensure that the oxygen source is turned off before turning off the device to avoid oxygen accumulating in the machine.

11. SPECIFICATIONS

DIMENSIONS:

275mm x 170mm x 140mm
(10.8" x 6.7" x 5.5")

WEIGHT:

1.9kg (4.2lbs)
(3.0kg packaged in bag incl. accessories)

ELECTRICAL RATINGS

Supply Frequency: 50-60 Hz
Supply Voltage and Current: 100-115V~ (1.2A, 1.3A max),
220-240V~ (0.8A, 1.8A max)
Note: These values represent average current

DC to AC Inverter requirements: 115V - 200W/300W surge
230V - 300W/500W surge

Heater Plate : 85W max
Heater Plate Temperature: 65°C (149°F) max

PERFORMANCE

Pressure Range 4 to 20 cmH₂O
Altitude Range 0 to 3000m, or 0 to 9000 ft

STANDARDS COMPLIANCE

Designed to conform to the requirements of:

EN / IEC 60601-1
UL60601-1
CSA C22.2/No.601.1
AS3200.1.0

The device complies with the electromagnetic compatibility requirements of IEC 60601-1-2. In certain circumstances, the device may affect or be affected by nearby equipment due to the effects of electromagnetic interference. If this should happen, try moving your unit or the location of the device causing interference, or alternatively consult your homecare provider.

12. OPERATING CONDITIONS:

AMBIENT TEMPERATURE: 5 - 35°C
HUMIDITY: 10 - 95% RH
ALTITUDE: 0 - 3000m (9000ft)
Above 500m (1500 ft) the maximum operating pressure will be reduced.

13. STORAGE AND TRANSPORT CONDITIONS:

The device should be stored and transported in environmental conditions of: -10 to 60°C .

14. TROUBLESHOOTING:

If you feel that your device is not operating correctly, consult your homecare dealer.
Do not attempt to repair the device yourself.

Fisher & Paykel Healthcare have a policy of continued product improvement and reserve the right to alter specifications without notice.

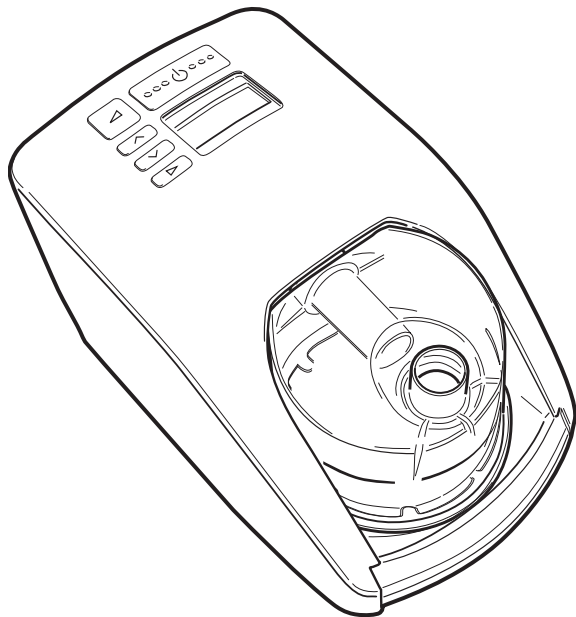
15. APPENDIX

The following table lists the main difference in features across the HC230 Product Range.

Features	Product Code							
	HC231	HC232	HC233	HC234	HC235	HC236	HC237	HC238
Standard CPAP	✓	✓			✓	✓		
Fully Integrated CPAP with Heated Humidification			✓	✓			✓	✓
Patient Compliance Monitoring (LCD & Full Download)		✓		✓		✓		✓
Auto Altitude Adjustment					✓	✓	✓	✓
Leak Compensation					✓	✓	✓	✓
Ambient Tracking PLUS			✓	✓			✓	✓
Proportional Ramp	✓	✓	✓	✓	✓	✓	✓	✓

Note:

- Some models may not be available for sale in certain countries



SÉRIE HC230

PPC AVEC SYSTÈME D'HUMIDIFICATION INTÉGRÉ

Les systèmes de PPC de série HC230 ont été conçus pour le traitement à domicile du SAS.

Pour une assistance complémentaire, veuillez contacter votre Bureau local F&P – voir adresse au verso. Conserver ce manuel pour futures références.

TABLE DES MATIÈRES

1. Définitions des symboles	2
2. Avertissement	2
3. Avertissement contre l'utilisation d'oxygène	2
4. Utilisation recommandée	2
5. Description de l'appareil	3
5.1 Éléments principaux de l'appareil - PPC standard	3
5.2 Éléments principaux de l'appareil- PPC avec humidificateur intégré	3
5.3 Accessoires	3
6. Nettoyage et Entretien	4
7. Instructions d'installation	4
8. Réglages et Affichage - PPC avec humidificateur intégré	5
8.1 Affichage : Descriptions et Fonctions	5
8.2 Résumé du menu patient - PPC avec humidificateur intégré	6
8.3 Menu patient - Réglages complémentaires - PPC avec humidificateur intégré	6
9. Réglages et Affichage - PPC standard	7
9.1 Affichage : Descriptions et Fonctions	7
9.2 Résumé du menu patient - PPC standard	8
9.3 Menu patient - Réglages complémentaires - PPC standard	8
10. Questions fréquemment posées	9
11. Caractéristiques techniques	9
12. Conditions de fonctionnement	10
13. Stockage et Transport	10
14. Dépannage	10
15. Appendice	10

VEUILLEZ LIRE LES INSTRUCTIONS DANS LEUR TOTALITÉ AVANT D'UTILISER VOTRE APPAREIL POUR LA PREMIÈRE FOIS

1. DÉFINITION DES SYMBOLES



Type BF
Pièce utilisée



ATTENTION
Consulter les
documents joints



IPX1
Anti-écoulement



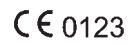
Courant
alternatif



Class II
Double isolation



Veille
On/Off



93/42/EEC
Classe IIb

2. AVERTISSEMENT

A noter : Ce manuel ne concerne que les appareils de PPC de série HC230

1. L'appareil ne peut être utilisé qu'avec des masques, connecteurs et circuit recommandés par Fisher & Paykel Healthcare, votre médecin ou thérapeute.
2. Ne jamais utiliser l'appareil si:
 - a) le cordon d'alimentation ou la prise électrique sont endommagés, b) le circuit est endommagé ; trous, déchirures, pliures, c) l'appareil est endommagé ou s'il est tombé par terre, d) l'appareil est tombé dans l'eau, e) l'appareil ne fonctionne pas correctement, f) l'appareil est connecté à un ordinateur.Retourner l'appareil à un centre de dépannage agréé pour inspection et réparation.
3. Ne pas utiliser l'appareil lorsque la température extérieure s'élève à plus de 35°C (95°F), cela pouvant accroître la température du flux d'air, risquant d'entraîner une irritation des voies respiratoires.
4. S'assurer que le filtre à air soit présent lors du fonctionnement de l'appareil.
- *5. Retirer la chambre d'humidification avant remplissage.
- *6. Ne pas remplir la chambre avec de l'eau bouillante
- *7. Ne pas secouer l'appareil lorsque la chambre d'humidification est remplie d'eau pour éviter de noyer la machine.
- *8. Placer votre appareil à une hauteur inférieure à celle de votre tête pour éviter tout risque de pénétration d'eau dans le circuit chauffant si l'appareil venait à se renverser..
9. Ne pas entreposer ou utiliser l'appareil dans un endroit où il est susceptible de tomber par terre ou dans l'eau. Si de

l'eau s'est infiltrée dans l'appareil, déconnecter le cordon d'alimentation et ne plus l'utiliser. Solliciter le conseil de votre prestataire de service.

10. Ne jamais boucher les ouvertures d'air de l'appareil ou le placer sur une surface tel qu'un lit ou un canapé, sur lesquels le filtre risque de s'obstruer. S'assurer que les ouvertures d'air ne comportent pas de matières telles que peluches ou cheveux.
 11. S'assurer que l'appareil soit sec avant de le rebrancher.
 12. Ne pas utiliser de masque si l'appareil est éteint ou s'il ne fonctionne pas correctement. Ne jamais boucher la fuite expiratoire du masque.
 13. En raison de la température de fonctionnement de la plaque chauffante, éviter tous contacts avec la plaque chauffante ou la base de la chambre d'humidification.
 14. Si la pression de PPC est basse, le flux circulant à travers le masque peut s'avérer insuffisant pour évacuer tous les gaz exhalés du circuit chauffant, ce qui peut entraîner une réinhalation de celui-ci.
 15. Changer la pression peut rendre la thérapie inefficace. La pression ne devrait être contrôlée que par un professionnel du corps médical.
 16. Ne jamais insérer ou faire tomber de corps étrangers dans les ouvertures ou le tuyau.
 17. Avant tout nettoyage, éteindre l'appareil et débrancher le cordon d'alimentation de la prise murale.
 - *18. Vider la totalité de l'eau avant transport.
 19. Tout entretien autre que celui décrit dans ce manuel doit être effectué par du personnel qualifié.
- * Uniquement disponible avec les appareils de PPC avec humidificateur intégré**

3. AVERTISSEMENT CONCERNANT L'UTILISATION DE L'OXYGÈNE

Si un enrichissement en oxygène est utilisée avec l'appareil, couper le débit d'oxygène lorsque l'appareil n'est pas en service pour éviter toute accumulation à l'intérieur de l'appareil.

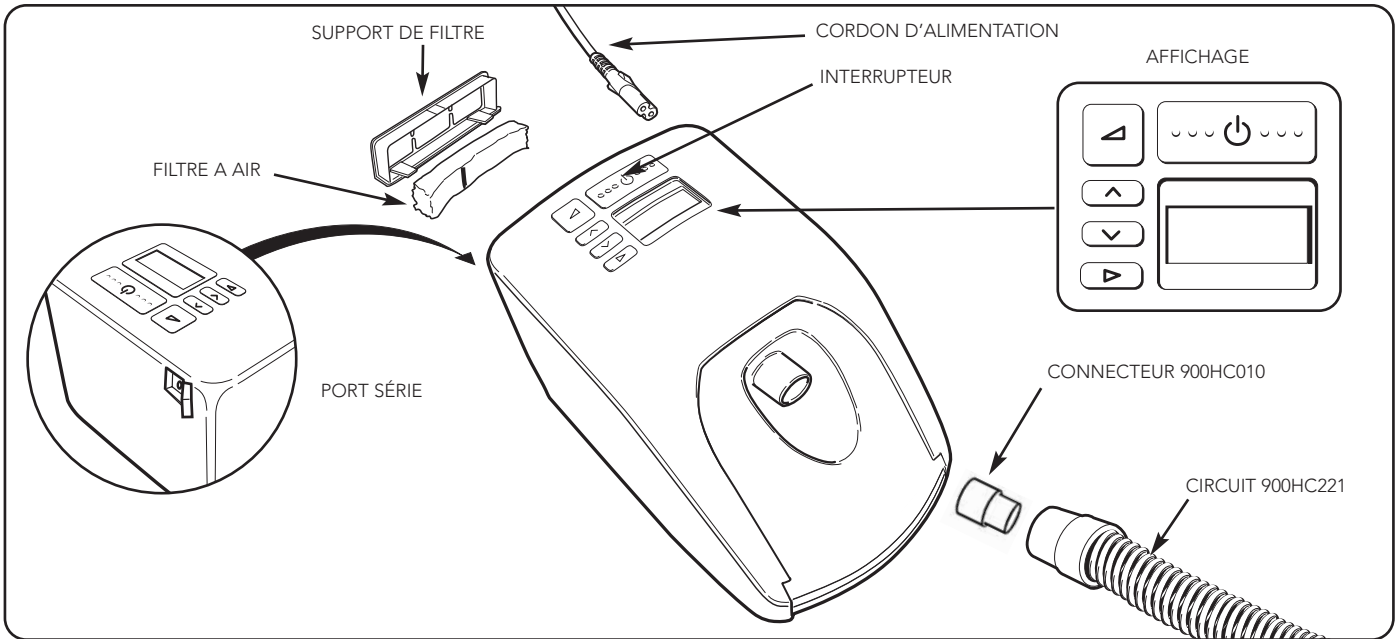
- L'appareil doit être placé dans un endroit ventilé.
- L'enrichissement en oxygène doit être administrée au niveau du masque.
- Ne pas utiliser de l'oxygène en présence de flamme. Ne pas fumer en présence d'oxygène.
- L'utilisation d'oxygène lors de la thérapie comporte des risques d'incendie et requiert par conséquent une attention particulière. Tout matériau inflammable à l'air et certains matériaux non inflammables peuvent prendre feu facilement en présence de hautes concentrations en oxygène. C'est pourquoi, pour des raisons de sécurité, il est recommandé de garder à distance et de préférence hors de la pièce où l'appareil est utilisé toute source possible d'ignition.
- Une inflammation spontanée et agressive peut se produire si de l'huile, de la graisse ou des substances grasses, entrent en contact avec des régulateurs d'oxygène, soupapes, tubes et connecteurs, et tout autre équipement se rapportant à l'oxygène.
- Pour un débit d'oxygène fixé, la concentration d'oxygène inhalée varie en fonction des paramètres de pression, les caractéristiques ventilatoires, le masque et le taux de fuite.

4. UTILISATION RECOMMANDÉE

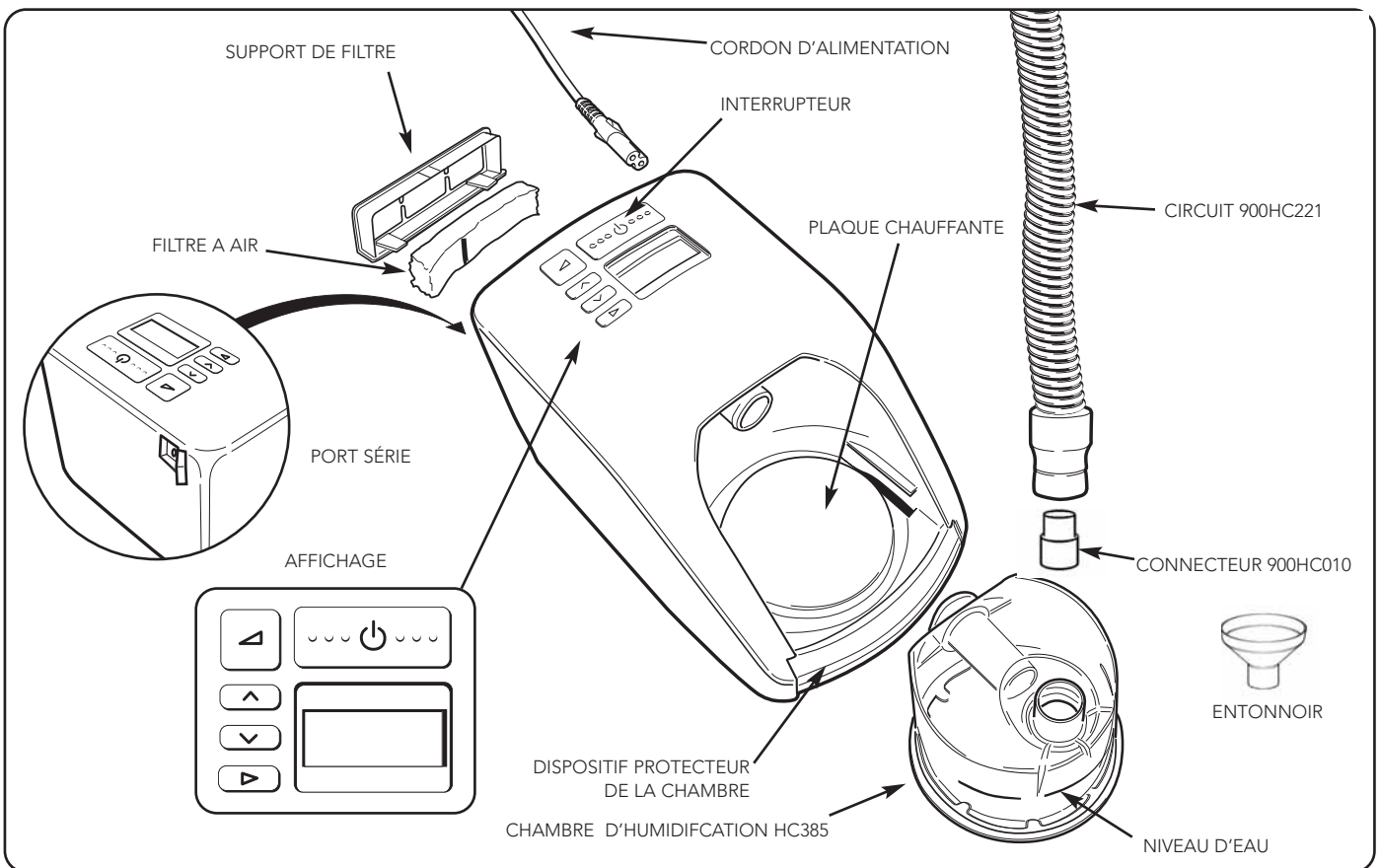
L'appareil a pour objectif le traitement du syndrome des apnées du sommeil (SAS). La méthode consiste à délivrer une Pression Positive Continue (PPC) afin de prévenir le collapsus des voies respiratoires supérieures. L'adjonction d'un humidificateur respiratoire chauffant prévient les effets desséchants et irritants des voies respiratoires couramment observés lors de l'utilisation d'appareils de PPC. L'appareil est conçu pour une utilisation aussi bien à domicile que professionnelle dans un laboratoire du sommeil. Se référer à la liste des différents produits de la série HC230 dans la section Appendice de ce manuel.

5. DESCRIPTION DE L'APPAREIL

5.1 Éléments principaux de l'appareil - PPC standard



5.2 Éléments principaux de l'appareil - PPC avec humidificateur intégré



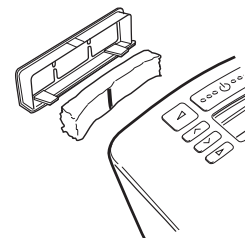
5.3 Accessoires

HC385S	Chambre d'humidification standard
HC355*	Chambre d'humidification à durée de vie étendue
900HC010	Connecteur
900HC221	Circuit
900HC240	Filtre à poussières (x2)

900HC230	Logiciel d'observance Maximizer
900HC232	Câble de téléchargement
HC225	Télécommande
900HC226	Rallonge d'extension du HC225
*Non disponible dans certains pays	

6. NETTOYAGE & ENTRETIEN

1. Eteindre l'appareil et débrancher le cordon d'alimentation de la prise murale.
2. Essuyer l'extérieur du l'appareil à l'aide d'un chiffon propre humecté d'eau (non mouillé) et d'un détergent doux. Ne pas utiliser de produits abrasifs ou de solvants risquant d'endommager l'appareil.
3. JOURNALIER
Nettoyer la chambre et le circuit.
 - Déconnecter le circuit respiratoire de la chambre d'humidification.
 - Rincer le circuit avec de l'eau savonneuse. Pendre le circuit à la verticale pour qu'il sèche.
 - Retirer la chambre en poussant la protection vers le bas et faire sortir la chambre.
 - Vider et jeter l'eau résiduelle.
 - Nettoyer la chambre à l'eau savonneuse, rincer et laisser sécher
4. HEBDOMADAIRE
Nettoyer la chambre
 - Nettoyer soigneusement la chambre en la faisant tremper 10 minutes dans une solution de vinaigre blanc et d'eau (1 dose de vinaigre blanc pour 2 doses d'eau).
5. Replacer le filtre à air lorsqu'il se décolore de manière significative, au moins une fois tous les 3 mois ou après 1000 heures de fonctionnement.
 - Retirer le support du filtre à l'arrière de l'appareil et retirer le filtre.
 - Remplacer l'ancien filtre par un filtre neuf. La ligne verticale noire doit faire face à l'appareil.



7. INSTRUCTIONS D'INSTALLATION

1. Retirer l'appareil de son emballage.
2. Placer l'appareil sur une étagère basse ou par terre à côté de votre lit. Placer l'appareil à une hauteur inférieure à celle de votre tête.
3. Montage de la chambre d'humidification (uniquement pour les appareils avec humidificateur intégré)
 - a. Retirer une chambre d'humidification de l'emballage.
 - b. Retirer et jeter les capuchons bleus (Fig.1).
 - c. Remplir la chambre d'humidification avec de l'eau jusqu'au trait noir (Fig. 2).

Ne jamais remplir la chambre d'humidification lorsqu'elle est en place. Lors du transport de l'appareil, toujours s'assurer que la chambre soit vide. La garantie ne couvre pas les dommages occasionnés par l'eau.

 - d. Pour positionner la chambre d'humidification sur l'appareil, appuyer sur la protection et y glisser la chambre. (Fig.3) (Fig. 4).
 - e. Lorsque la chambre est placée correctement, la protection s'enclenche
4. Une des extrémité du circuit possède un connecteur en plastique blanc. Positionner ce connecteur sur la sortie de la chambre d'humidification situé sur le dessus de celle-ci (Fig. 5) ou Sortie de la PPC (Fig. 5a).
5. Connecter l'autre extrémité au masque.
6. Brancher le cordon d'alimentation à l'arrière de l'appareil et la prise électrique.
7. Allumer l'appareil à l'aide de l'interrupteur se trouvant sur le dessus de celui-ci. (Fig. 6)
8. Pour modifier les paramètres, consulter le chapitre "Contrôles et Affichages "

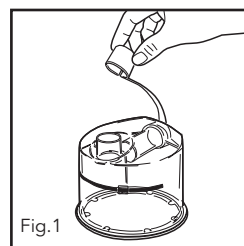


Fig.1

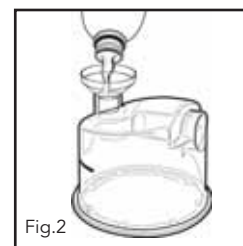


Fig.2

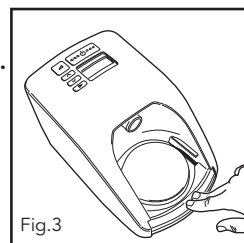


Fig.3

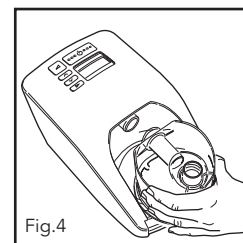


Fig.4

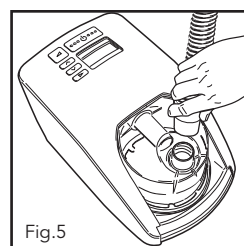


Fig.5

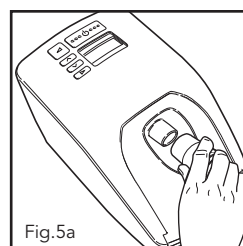


Fig.5a

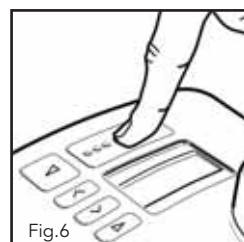
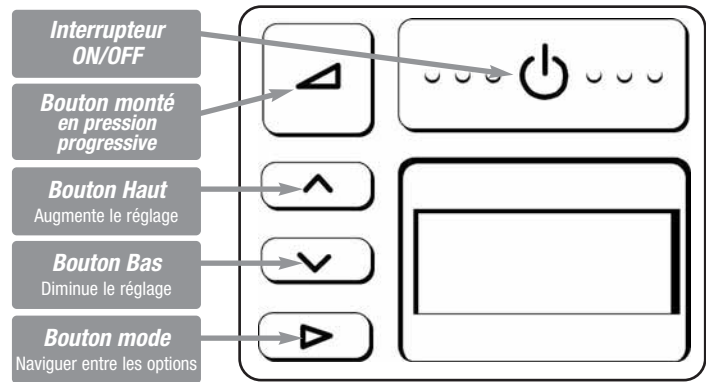


Fig.6

Votre appareil est prêt à l'utilisation.

8. RÉGLAGES ET AFFICHAGE - PPC AVEC HUMIDIFICATEUR INTÉGRÉ

8.1 AFFICHAGE : DESCRIPTIONS ET FONCTIONS



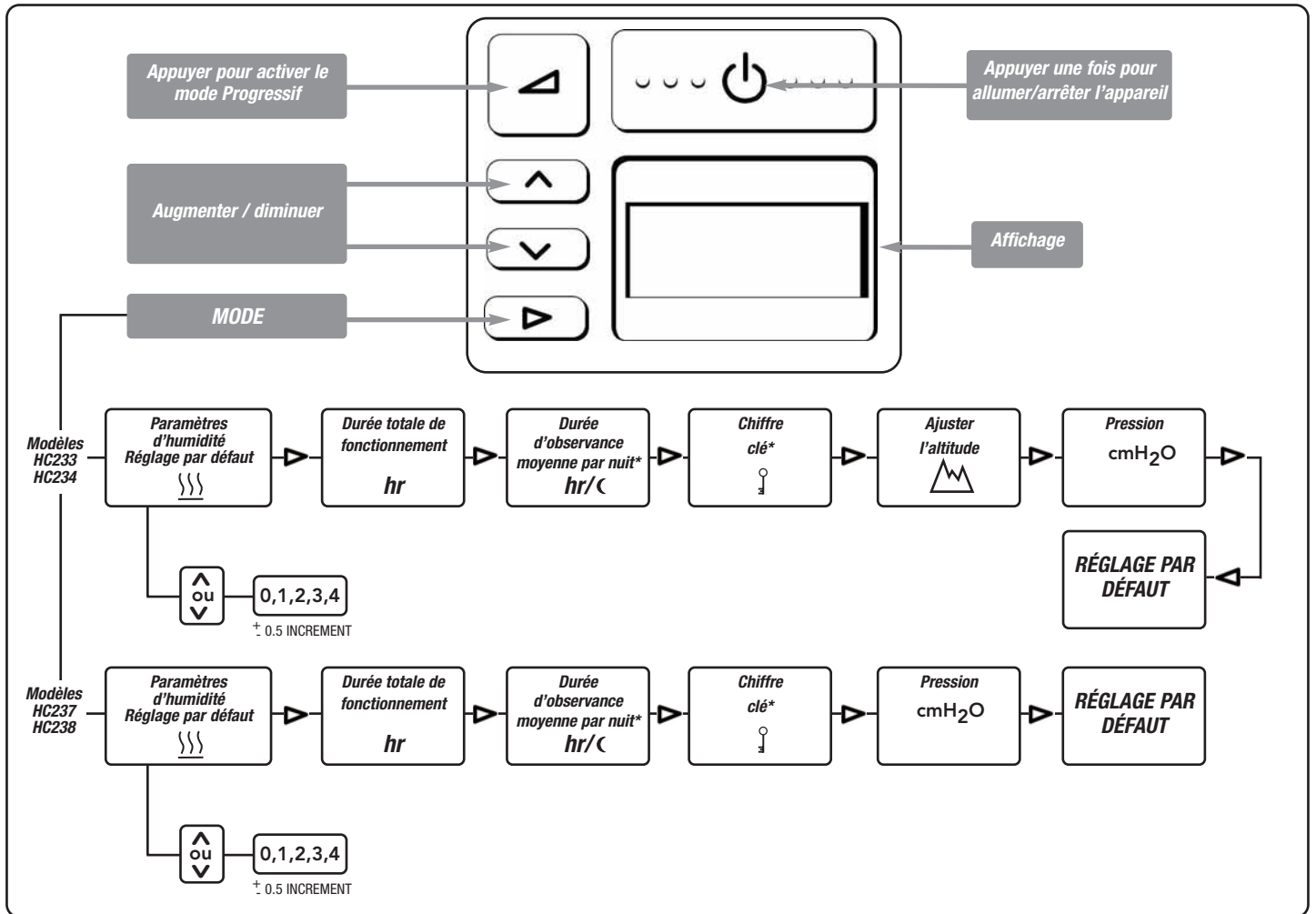
BOUTON	DESCRIPTION ET FONCTION	FONCTIONNEMENT
	MARCHE /ARRET Mise en marche & arrêt	METTRE EN MARCHÉ <ul style="list-style-type: none"> Appuyer sur le bouton brièvement. L'appareil affiche la valeur d'humidité par défaut. ÉTEINDRE L'APPAREIL <ul style="list-style-type: none"> Retirer le masque Appuyer sur le bouton brièvement
	MODE PROGRESSIF Réduction de pression pour favoriser l'endormissement. Augmentation progressive de la pression à la valeur prescrite après 20 minutes.	MISE EN MARCHÉ DU MODE PROGRESSIF <ul style="list-style-type: none"> Appuyer sur le bouton A noter : pour réinitialiser le mode progressif lors d'un cycle, il est nécessaire d'éteindre l'appareil préalablement. ÉTEINDRE L'APPAREIL <ul style="list-style-type: none"> Appuyer sur le bouton
	AUGMENTER / DIMINUER Ajuste le réglage	<ul style="list-style-type: none"> Utiliser le bouton et pour augmenter ou réduire les réglages
	MODE Naviguer entre les options	<ul style="list-style-type: none"> Appuyer séquentiellement pour naviguer et voir les options disponibles

MENU PATIENT	AFFICHAGE	FONCTIONNEMENT
Visualisation des paramètres PPC (humidité, observance, données, altitude et pression)		VISUALISER LES VALEURS Appuyer sur le bouton "" pour visualiser séquentiellement:
		<ul style="list-style-type: none"> Paramètres d'humidité (paramètres par défaut) Pour ajuster le niveau d'humidité afin de minimiser les effets secondaires subies par les voies aériennes supérieures provoquées par l'utilisation de PPC. Changer la température à l'aide des boutons et
	hr	<ul style="list-style-type: none"> Durée totale de fonctionnement Affiche la durée totale de fonctionnement de l'appareil (comprenant la durée d'utilisation sans le masque)
	hr/°C	<ul style="list-style-type: none"> Durée d'observance moyenne par nuit * Affiche la durée moyenne d'utilisation avec un masque
		<ul style="list-style-type: none"> Chiffre clé * Affiche des informations de contrôle d'observance destinées au praticien ou prestataire
		<ul style="list-style-type: none"> Ajuster l'altitude Affiche l'altitude
cmH ₂ O	<ul style="list-style-type: none"> Pression Affiche la pression 	

MENU PATIENT: Réglages supplémentaires	AFFICHAGE	FONCTIONNEMENT
<ul style="list-style-type: none"> Pour accéder aux réglages additionnels : Depuis les réglages par défaut de l'humidité Appuyer sur "" pendant 3 secondes Pour voir les sous-réglages consécutifs : Appuyer sur "" 		<ul style="list-style-type: none"> Unité d'altitude Sélectionner "m" pour mètres ou "ft" pour pied à l'aide des boutons ou
	3000	<ul style="list-style-type: none"> Niveau d'altitude <ul style="list-style-type: none"> Appuyer pour changer l'altitude Régler l'altitude à l'aide des boutons ou Appuyer le bouton pour sortir du menu REMARQUE : Un mauvais réglage de l'altitude (quelque soit le lieu) peut avoir un effet délétère sur la valeur de pression délivrée.
	cmH ₂ O	<ul style="list-style-type: none"> Pression délivrée Affichage de la pression délivrée REMARQUE : Uniquement disponible sur les appareils possédant la compensation de fuite et l'ajustement automatique de l'altitude.

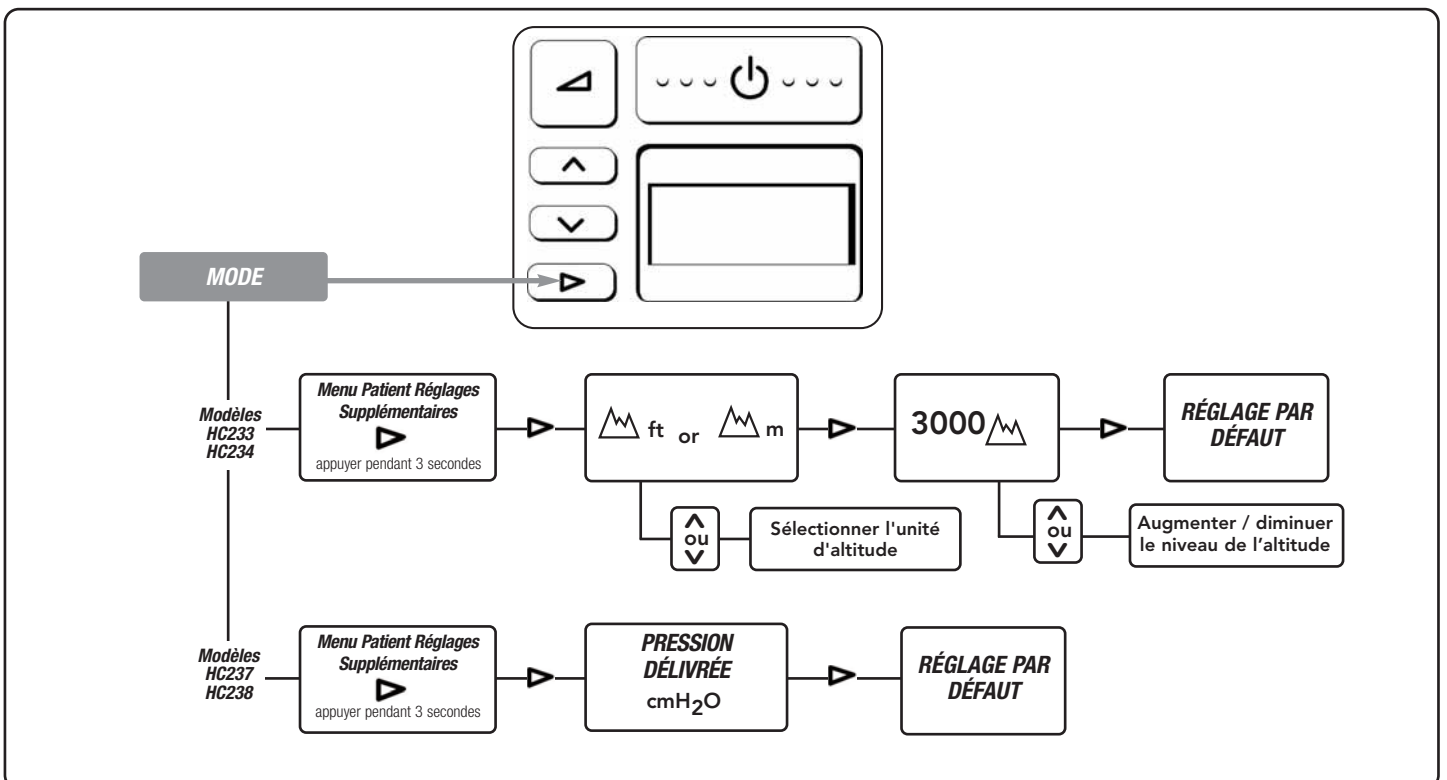
- **REMARQUE : L'ajustement manuel de l'altitude n'est pas disponible sur les appareils possédant la compensation de fuite et l'ajustement automatique de l'altitude.**
- * Disponible uniquement sur les appareils avec relevé d'observance

8.2 RÉSUMÉ DU MENU PATIENT - PPC AVEC HUMIDIFICATEUR INTÉGRÉ



* Disponible uniquement sur les appareils avec relevé d'observance

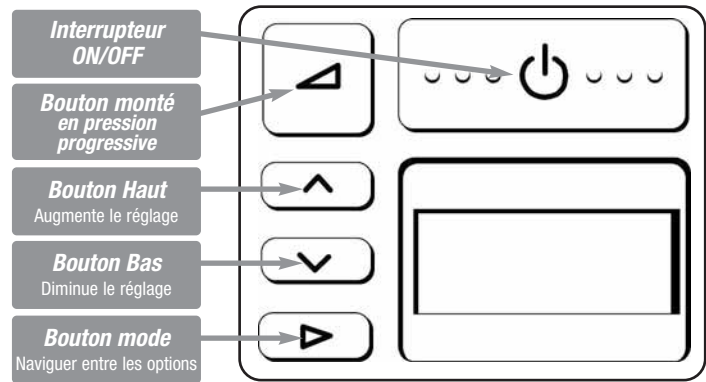
8.3 MENU PATIENT - RÉGLAGES COMPLÉMENTAIRES - PPC AVEC HUMIDIFICATEUR INTÉGRÉ



●ATTENTION : Effectuer un mauvais réglage de l'altitude (quelque soit le lieu) peut engendrer des effets délétères sur la pression délivrée

9. RÉGLAGES ET AFFICHAGE - PPC STANDARD

9.1 AFFICHAGE : DESCRIPTIONS ET FONCTIONS



BOUTON	DESCRIPTION ET FONCTION	FONCTIONNEMENT
	MARCHE /ARRET Mise en marche & arrêt	METTRE EN MARCHÉ <ul style="list-style-type: none"> Appuyer sur le bouton brièvement. L'appareil affiche la valeur d'humidité par défaut. ETEINDRE L'APPAREIL <ul style="list-style-type: none"> Retirer le masque Appuyer sur le bouton brièvement
	MODE PROGRESSIF Réduction de pression pour favoriser l'endormissement. Augmentation progressive de la pression à la valeur prescrite après 20 minutes.	METTRE EN MARCHÉ <ul style="list-style-type: none"> Appuyer sur le bouton A noter : pour réinitialiser le mode progressif lors d'un cycle, il est nécessaire d'éteindre l'appareil préalablement. ETEINDRE <ul style="list-style-type: none"> Appuyer sur le bouton Marche/Arrêt.
	AUGMENTER / DIMINUER Ajuste le réglage	<ul style="list-style-type: none"> Utiliser le bouton et pour augmenter ou réduire les réglages
	MODE Naviguer entre les options	<ul style="list-style-type: none"> Appuyer séquentiellement pour naviguer et voir les options disponibles

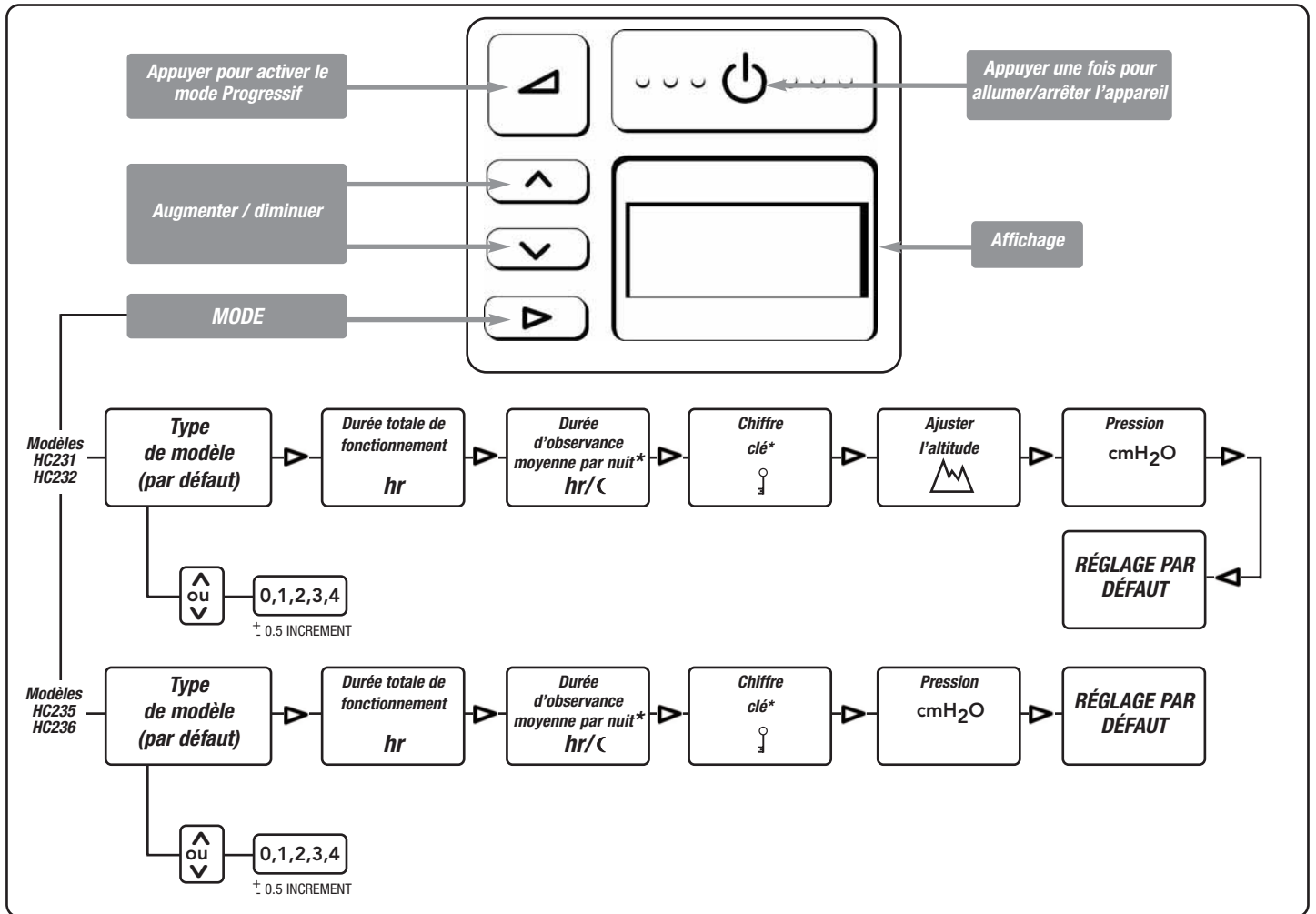
MENU PATIENT	AFFICHAGE	FONCTIONNEMENT
Visualisation des paramètres PPC (humidité, observance, données, altitude et pression)		VISUALISER LES VALEURS Appuyer sur le bouton "" pour visualiser séquentiellement:
	23x	<ul style="list-style-type: none"> Type de modèle (Affichage par défaut) Affichage du type de modèle comme réglage par défaut
	hr	<ul style="list-style-type: none"> Durée totale de fonctionnement Affiche la durée totale de fonctionnement de l'appareil (comprenant la durée d'utilisation sans le masque)
	hr/°C	<ul style="list-style-type: none"> Durée d'observance moyenne par nuit * Affiche la durée moyenne d'utilisation avec un masque
		<ul style="list-style-type: none"> Chiffre clé * Affiche des informations de contrôle d'observance destinées au praticien ou prestataire
		<ul style="list-style-type: none"> Ajuster l'altitude Affiche l'altitude
	cmH ₂ O	<ul style="list-style-type: none"> Pression Affiche la pression

MENU PATIENT: Réglages supplémentaires	AFFICHAGE	FONCTIONNEMENT
<ul style="list-style-type: none"> Pour accéder aux réglages additionnels : Depuis les réglages par défaut Appuyer sur "" pendant 3 secondes Pour voir les sous-réglages consécutifs : Appuyer sur "" 		<ul style="list-style-type: none"> Unité d'altitude Sélectionner "m" pour mètres ou "ft" pour pied à l'aide des boutons ou
	3000	<ul style="list-style-type: none"> Niveau d'altitude <ul style="list-style-type: none"> Appuyer pour changer l'altitude Régler l'altitude à l'aide des boutons ou Appuyer le bouton pour sortir du menu REMARQUE : Un mauvais réglage de l'altitude (quelque soit le lieu) peut avoir un effet délétère sur la valeur de pression délivrée.
		<ul style="list-style-type: none"> Pression délivrée Affichage de la pression délivrée REMARQUE : Uniquement disponible sur les appareils possédant la compensation de fuite et l'ajustement automatique de l'altitude.

● **REMARQUE : L'ajustement manuel de l'altitude n'est pas disponible sur les appareils possédant la compensation de fuite et l'ajustement automatique de l'altitude.**

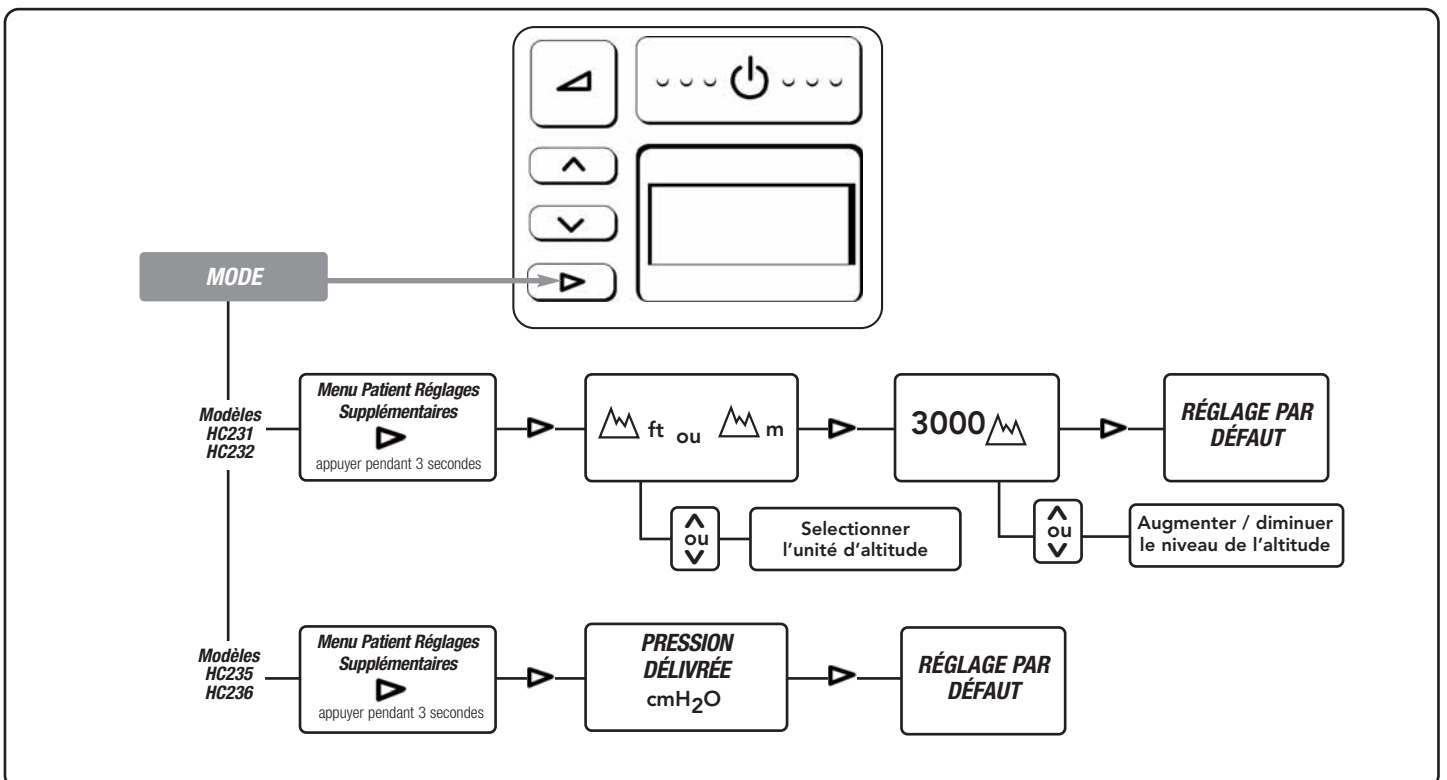
● * Disponible uniquement sur les appareils avec relevé d'observance

9.2 RÉSUMÉ DU MENU PATIENT - PPC STANDARD



* Disponible uniquement sur les appareils avec relevé d'observation

9.3 MENU PATIENT - RÉGLAGES COMPLÉMENTAIRES - PPC STANDARD



● ATTENTION : Effectuer un mauvais réglage de l'altitude (quelque soit le lieu) peut engendrer des effets délétères sur la pression délivrée

10. QUESTIONS FRÉQUEMMENT POSÉES

● Pour les appareils de PPC avec humidificateur intégré

a. À mon réveil le matin, j'ai le nez et la gorge sèches. Que puis-je faire ?

Vous pouvez ajuster le réglage du contrôle de l'humidité. Si cela n'est pas suffisant, veuillez contacter votre médecin.

b. Comment puis-je empêcher la formation de condensation dans le circuit ?

Le contrôle de l'humidité permet l'ajustement de l'humidité jusqu'à l'apparition de buée (pas de condensation mobile) à l'extrémité du circuit près du masque. Si l'humidité est réglée à une valeur trop élevée pour les conditions ambiantes, de la condensation peut apparaître dans le circuit.

Remarque : L'utilisation d'un circuit de plus d'1m80 peut augmenter la formation de condensation

Il existe plusieurs moyens de réduire la condensation dans le circuit :

- Veillez à ne pas placer l'appareil dans un courant d'air froid.
- Diminuer légèrement le réglage de température. Diminuer graduellement le réglage jusqu'à ce que la condensation n'apparaisse plus.
- Chauffez l'air ambiant.

c. Dois je utiliser de l'eau distillée avec mon appareil ?

L'emploi d'eau distillée augmentera la durée de vie de la chambre d'humidification. L'eau du robinet, même filtrée, contient des minéraux qui peuvent endommager la chambre d'humidification en la corrodant.

d. A quel moment dois-je remplacer la chambre d'humidification ?

Remplacer la chambre si les parties en plastique se décolorent ou présentent des fissures, ou si la base de la chambre est abîmée. Remarque : si la chambre fuit, remplacez-la immédiatement.

● Puis-je utiliser mon appareil dans d'autres pays ?

Oui. Utiliser simplement l'adaptateur électrique adéquat et l'appareil s'adaptera à n'importe quelle tension électrique.

Remarque : Lors du transport de l'appareil s'assurer que la chambre soit vide.

La garantie ne couvre pas les dommages

occasionnés par l'eau.

● Puis-je utiliser un enrichissement en oxygène avec mon appareil ?

Oui, il est possible d'administrer de l'oxygène via le masque. Mettre l'appareil sous tension avant d'ouvrir l'oxygène. Vérifiez que la source d'oxygène soit fermée avant de mettre l'appareil hors tension afin d'éviter l'accumulation d'oxygène dans l'appareil.

11. CARACTÉRISTIQUES TECHNIQUES

DIMENSIONS :	275mm x 170mm x 140mm
POIDS:	1.9kg (3.0kg avec les accessoires le tout emballé dans un sac)
SPÉCIFICATIONS ELECTRIQUES	
Fréquence :	50-60 Hz
Tension et Courant:	100-115V (1.2A, max 1.3A), 220-240V (0.8A, max 1.8A) Remarque : Ces valeurs représentent un courant moyen
Inversion:	115V - 200W/300W surintensité 230V - 300W/500W surintensité
Plaque chauffante:	Maximum 85W
Température de plaque chauffante	Plaque chauffante opérée à une température de 65°C max (149°F)
PERFORMANCE	
Pression délivrée :	4 à 20 cmH ₂ O
Altitude de fonctionnement	0 à 3000m, ou 0 à 9000 ft

STANDARDS DE CONFORMITÉ

Conception conforme aux spécificités suivantes:

EN / IEC 60601-1
UL60601-1
CSA C22.2/No.601.1
AS3200.1.0

L'appareil de PPC avec humidificateur intégré est conforme aux exigences de compatibilité électromagnétiques IEC 60601-1-2.

Dans certains cas, l'appareil peut être affecté par des interférences électromagnétiques d'équipements électriques se trouvant à proximité. Si cela se produit, déplacez l'appareil ou la cause de l'interférence, ou bien consultez votre médecin traitant.

12. CONDITIONS DE FONCTIONNEMENT:

TEMPÉRATURE AMBIANTE : 5 à 35°C

HUMIDITÉ 10 à 95% RH

ALTITUDE: 0 à 3000m (9000pieds)

Au-dessus de 500m (1500 pieds) la pression maximale sera réduite.

13. CONDITIONS DE STOCKAGE ET DE TRANSPORT:

L'appareil doit être entreposé et transporté dans une température ambiante allant de -10 à 60° C.

14. DÉPANNAGE

Si votre appareil ne fonctionne pas correctement, consulter votre fournisseur. Ne pas tenter de réparer l'appareil soi-même.

Fisher & Paykel Healthcare améliore constamment ses produits et réserve le droit de modifier certaines spécifications sans préavis

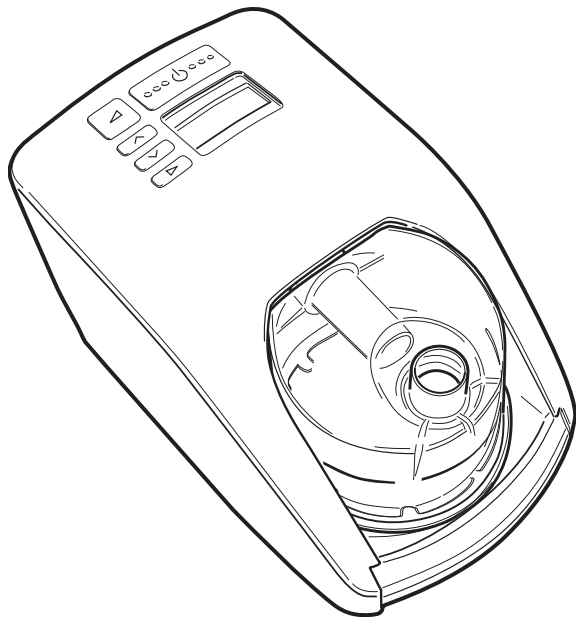
15. APPENDICE

Le tableau suivant liste les fonctionnalités disponibles majeures concernant les produits de série HC230.

Caractéristiques	MODÈLE							
	HC231	HC232	HC233	HC234	HC235	HC236	HC237	HC238
PPC Standard	✓	✓			✓	✓		
PPC Avec Humidificateur Intégré			✓	✓			✓	✓
Monitoring De La Compliance Du Patient (Affichage LCD & Téléchargement)		✓		✓		✓		✓
Ajustement Automatique de l'altitude					✓	✓	✓	✓
Compensation Automatique des Fuites					✓	✓	✓	✓
Ambient Tracking PLUS			✓	✓			✓	✓
Mode Progressif	✓	✓	✓	✓	✓	✓	✓	✓

Remarques :

- Certains modèles ne sont pas disponibles dans tous les pays



HC230 SERIE

SISTEMA CPAP HUMIDIFICADOR

Los HC230 son un tipo de sistemas CPAP diseñados para uso doméstico en el tratamiento de OSA .

Para más ayuda, póngase en contacto con la oficina F&P local – direcciones en el reverso. Sírvase guardar este manual para futuras consultas.

ÍNDICE DE MATERIAS

1. Definición de los símbolos	2
2. Advertencias	2
3. Advertencias sobre el uso de oxígeno	2
4. Uso para el que ha sido diseñado	2
5. Descripción del aparato.	3
5.1 Partes importantes de su equipo - Rango CPAP estándar.	3
5.2 Partes importantes de su equipo - Rango CPAP integrado	3
5.3 Accesorios	3
6. Limpieza y mantenimiento.	4
7. Instrucciones de Operación	4
8. Controles y Pantallas - Rango CPAP Integrado	5
8.1 Pantalla: Descripción y función. Rango CPAP Integrado	5
8.2 Resumen del Menú de Paciente - Rango CPAP Integrado	6
8.3 Menú del Paciente - Resumen de Los Ajustes Adicionales - Rango CPAP Integrado	6
9. Controles y Pantallas - Rango CPAP Estándar	7
9.1 Pantalla: Descripciones y Funcion.	7
9.2 Resumen del Menú del Paciente - Rango CPAP estándar.	8
9.3 Menú del Paciente - Resumen de Ajustes Adicionales - Rango CPAP estándar.	8
10. Preguntas más frecuentes	9
11. Especificaciones del producto.	9
12. Condiciones de operación	10
13. Condiciones de almacenamiento y transporte	10
14. Solución de problemas.	10
15. Apéndice	10

POR FAVOR LEA TODAS LAS INSTRUCCIONES ANTES DE USAR POR PRIMERA VEZ

Precaución: La ley federal de los Estados Unidos estipula que este aparato solamente puede ser vendido por un médico o por su orden.

1. DEFINICIÓN DE LOS SÍMBOLOS



2. ADVERTENCIAS

Obs: Este manual se refiere a la unidad CPAP de la Serie HC230 como "el equipo"

1. Del equipo deberán ser utilizados únicamente con las mascarillas, conectores y tubos de suministro recomendados por Fisher & Paykel Healthcare o por su médico o terapeuta respiratorio.
2. Nunca haga funcionar l'equipo si:
 - a) éste tiene el cable eléctrico o el enchufe dañado, b) el tubo ha sido dañado presentando agujeros, razgaduras o dobladuras, c) se ha caído al suelo o está dañado, d) este se ha dejado caer en el agua, e) este no esta funcionando corretamente, f) si está conectado a un PC durante el tratamiento CPAP.Envíe l'equipo a un centro de servicio autorizado para que sea revisado y reparado.
3. No utilice del equipo cuando la temperatura ambiente sobrepase los 35°C (95°F) ya que podría generar un aumento en la temperatura de flujo, lo que a su vez puede causar irritación de las vías respiratorias.
4. Asegúrese de que el filtro de aire esté instalado cuando la unidad esté funcionando.
- * 5. Retire la cámara de humidificación antes de llenar.
- * 6. No llene la cámara con agua hirviendo.
- * 7. When handling the device with a chamber and water avoid tilting the machine to prevent any chance of water entering the unit enclosure.
- * 8. Coloque del equipo a un nivel inferior a la altura de su cabeza para evitar que entre agua en el tubo con hilo calentado respiratorio en caso de que del equipo sea golpeado y caiga.
9. No conserve o utilice del equipo en un lugar donde pueda caerse o donde pueda ser tirado al agua. Si ha entrado

agua en el interior del aparato desconecte el cable eléctrico e interrumpa su uso. Consulte con su proveedor de asistencia domiciliaria.

10. No obstruya nunca las aberturas de ventilación del equipo ni lo coloque sobre una superficie mullida, como la cama o un sillón, donde el área del filtro pueda quedar bloqueada. Mantenga las aberturas de ventilación libres de pelusa, pelo y similares.
11. Asegúrese de que la unidad esté seca antes de enchufarla en el tomacorriente.
12. No se deberá utilizar una mascarilla a menos que del equipo esté encendido y funcionando correctamente. El orificio u orificios de ventilación asociados con la mascarilla no deberán obstruirse nunca.
13. Debido a la temperatura de operación de la placa del calentador, evite contacto con la placa o la base de la cámara.
14. A bajas presiones de CPAP, puede que el flujo a través de la mascarilla no sea suficiente para eliminar todos los gases espirados en el tubo con hilo calentado y por consiguiente puede haber cierto grado de reinhalación.
15. El ajustar el control de presión puede resultar en una terapia ineficaz. El control de presión debe ser ajustado únicamente por un profesional de la salud .
16. No deje caer nunca ni inserte ningún objeto en ninguna de las aberturas ni tubos con hilo calentado.
17. Apague siempre del equipo y desconecte el cable eléctrico del tomacorriente antes de limpiarlo.
- * 18. Vacíe toda el agua de la cámara antes de transportar su del equipo.
19. Remita todo el trabajo de mantenimiento al personal de servicio cualificado excepto según se indique en este manual.
- * **Se aplica únicamente a los equipos CPAP integrados**

3. ADVERTENCIAS SOBRE EL USO DE OXÍGENO

Si se utiliza oxígeno adicional con del equipo, el flujo de oxígeno debe ser desconectado cuando del equipo no esté operando. Eso asegura que el oxígeno no pase por el tubo con hilo calentado, acumulándose en la cámara del equipo.

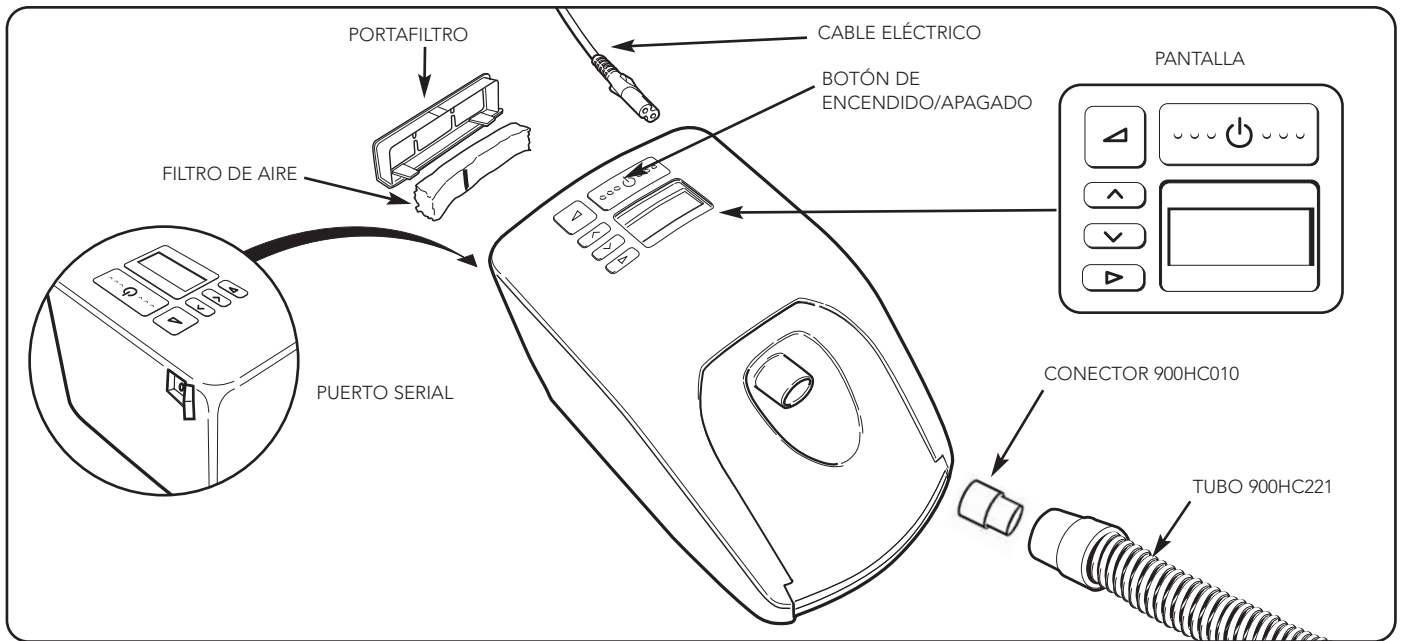
- El equipo debe ser colocado en una posición en la cual no se restrinja la ventilación alrededor del equipo.
- El oxígeno adicional deberá ser administrado en la máscara.
- No utilice oxígeno cuando se esté fumando o cerca del fuego.
- Cuando se está haciendo una terapia con oxígeno deben ser tomadas precauciones especiales para reducir el riesgo de incendio. Especialmente con aquellos materiales que quemen con el aire y ciertos materiales que no se encienden fácilmente y queman rápidamente en altas concentraciones de oxígeno. Por eso, como una cuestión de seguridad, es necesario que todas las fuentes de ignición sean mantenidas lejos y preferiblemente fuera del lugar donde se está utilizando el oxígeno.
- Una ignición espontánea y violenta puede ocurrir si aceite, grasas o sustancias grasosas, entran en contacto con los reguladores de oxígeno, válvulas del cilindro, tubos, conexiones y otros equipos que utilizan oxígeno.
- Con un flujo fijo de oxígeno adicional, la concentración de oxígeno varía, dependiendo de la regulación de presión, del ritmo de la respiración del paciente, de la máscara seleccionada y del nivel de fuga.

4. USO PARA EL QUE HA SIDO DISEÑADO

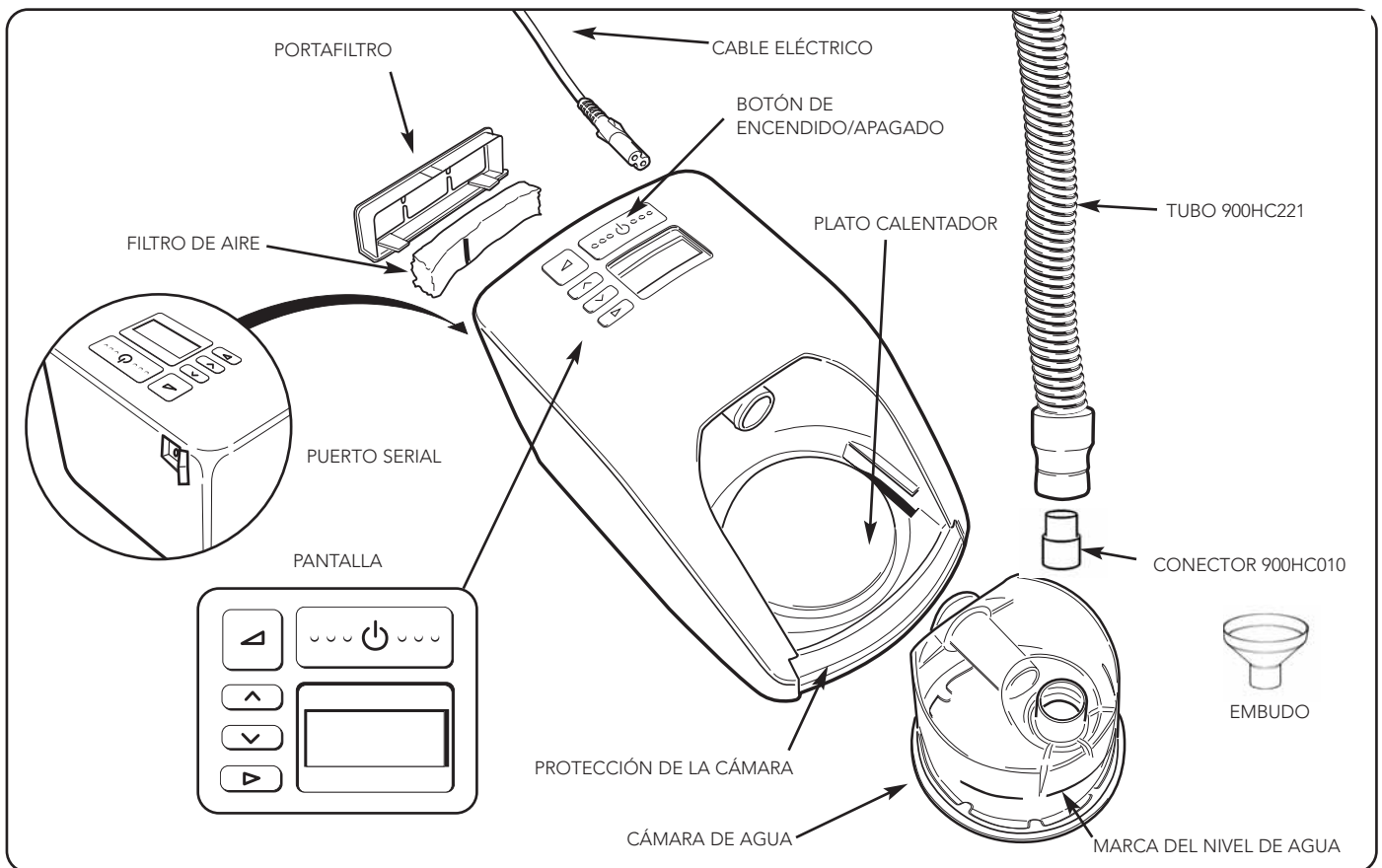
El equipo se utiliza para ayudar a respirar al paciente mientras duerme, para el tratamiento de la Apnea Obstructiva del Sueño (AOS). Esto se consigue mediante el suministro de Presión Positiva y Continua a las Vías Respiratorias para evitar la obstrucción de las vías respiratorias. El añadir humidificación respiratoria calentada al aparato alivia los efectos de sequedad e irritación de las vías respiratorias del paciente que suelen derivarse del uso del sistema CPAP. El equipo es para ser utilizado por pacientes adultos en su domicilio o en el laboratorio del sueño. Refira-se a la lista de Productos de la Série HC230, que se encuentra en el Apéndice de este manual.

5. DESCRIPCIÓN DEL EQUIPO

5.1 Partes importantes de su equipo - Rango CPAP estándar



5.2 Partes importantes de su equipo - Rango CPAP integrado



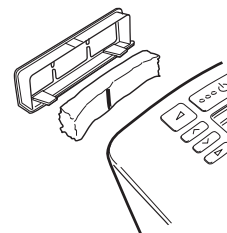
5.3 Accesorios

HC385S	Cámara de humidificación Estándar
HC355*	Cámara de Humidificación Larga Vida
900HC010	Conector
900HC221	Tubo
900HC240	Filtro De Aire

900HC230	Software potenciador de cumplimiento
900HC232	Cable serial para descarga de cumplimiento
HC225	Control Remoto (Laboratorio)
900HC226	Kit de alargue para HC225
*No disponible en todos los países	

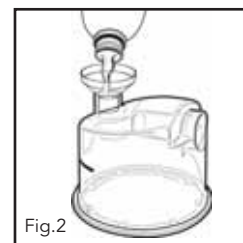
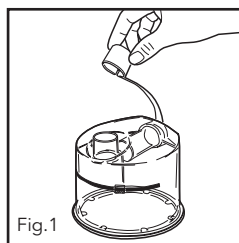
6. LIMPIEZA Y MANTENIMIENTO

1. Apague del equipo y desconéctelo del tomacorriente.
2. Limpie el exterior del equipo con un trapo limpio y húmedo (no mojado) y con detergente suave para vajilla. No utilice solventes ni abrasivos fuertes, ya que esto puede dañar al aparato del equipo.
3. DIARIAMENTE
Limpie el tubo y la cámara.
 - Retire el tubo de respiración de la cámara.
 - Enjuague el tubo en agua enjabonada. Cuelgue la manguera para secar de manera que sus extremos apunten hacia el suelo.
 - Retire la cámara presionando la protección con los dedos y sacando la cámara hacia arriba.
 - Vierta y deseche el agua restante.
 - Limpie la cámara con agua y jabón, enjuáguela y séquela.
4. SEMANALMENTE
Limpie a fondo la cámara de agua.
 - Deje remojar durante 10 minutos el interior de la cámara en una solución de 1 parte de vinagre blanco en dos partes de agua.
5. Cambie el tubo de aire cuando haya perdido su color de forma considerable, al menos una vez cada 3 meses o tras 1000 de horas de funcionamiento del aparato.
 - Retire el portafiltro de la parte trasera del aparato y saque el filtro.
 - Cambie el filtro usado por uno nuevo. Asegúrese de que la línea vertical negra quede orientada hacia el aparato.



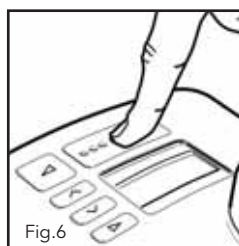
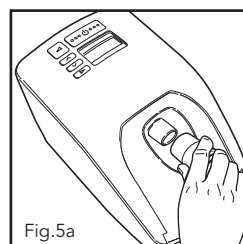
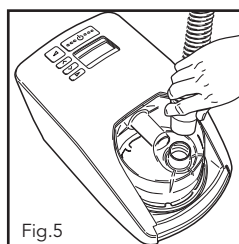
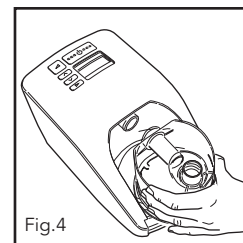
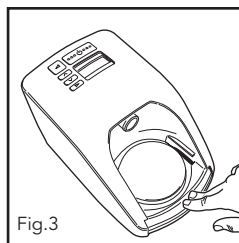
7. INSTRUCCIONES DE OPERACIÓN

1. Retire del equipo de su embalaje
2. Coloque del equipo sobre un estante bajo o en el suelo junto a la cama. La unidad debe colocarse a un nivel inferior a la altura de su cabeza.
3. Operación de la Cámara (se aplica únicamente a los equipos CPAP integrados)
 - a. Retire una de las cámaras de agua del embalaje.
 - b. Retire los tapones azules y deséchelos (Fig. 1).
 - c. Llene la cámara hasta la marca de llenado con agua destilada solamente (Fig. 2).



Nunca llene la cámara mientras ésta se encuentre acoplada al equipo. Cuando mueva su el equipo, asegúrese de que la cámara de agua se encuentre vacía. Las fallas de la máquina debidas a daños provocados por agua no están cubiertas por la garantía.

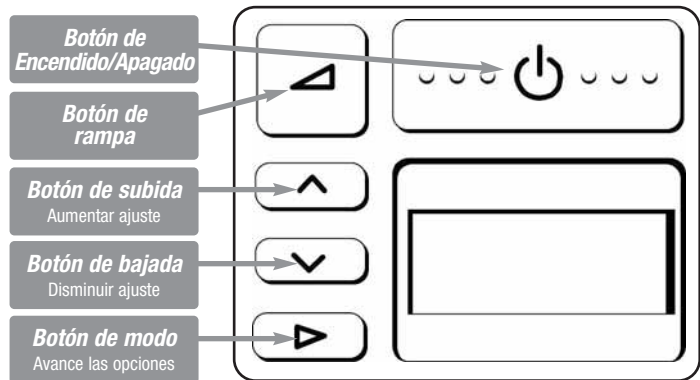
- d. Para fijar la cámara de agua al aparato serie HC230, presione la protección con los dedos y deslice la cámara sobre del equipo (Fig.3 y Fig. 4).
 - e. Cuando la cámara esté correctamente colocada la protección para los dedos volverá a su posición con un clic.
4. Un extremo del tubo contiene un conector plástico blanco. Colocar este conector en la salida que se encuentra en la parte superior de la cámara (Fig. 5) o en la salida CPAP (Fig 5a)
 5. Conecte el otro extremo del tubo a la máscara.
 6. Conecte el cable del equipo en el enchufe de la pared y en la parte de atrás del equipo.
 7. Encienda del equipo pulsando y manteniendo presionado el botón de encendido/apagado (Fig. 6). La pantalla indica la configuración de humedad actual.
 8. Para cambiar el ajuste consulte la sección 8 "Controles y Pantalla".



Del equipo se encuentra ahora listo para el uso.

8. CONTROLES Y PANTALLA - RANGO CPAP INTEGRADO

8.1 PANTALLA: DESCRIPCIÓN Y FUNCIÓN



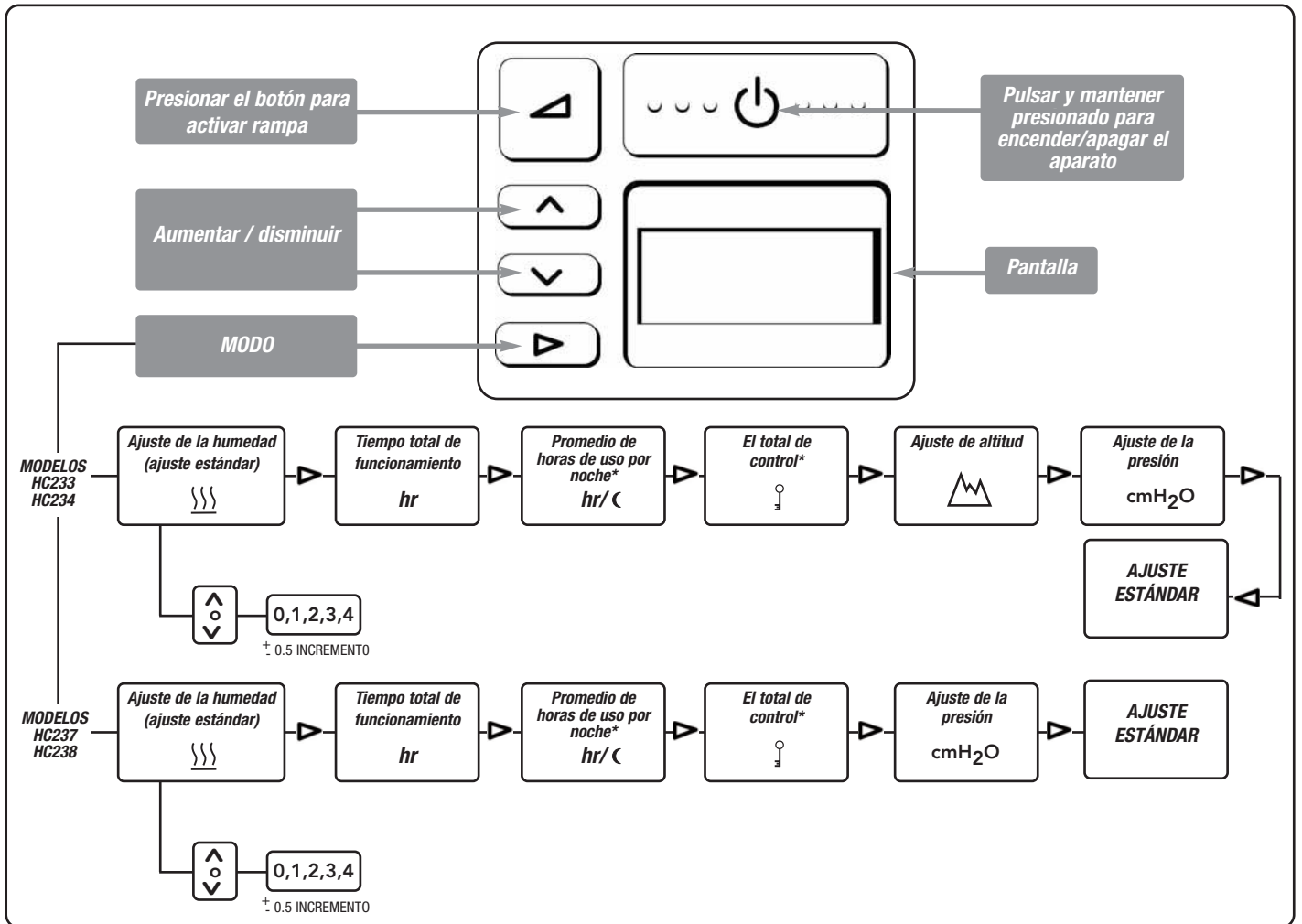
BOTON	DESCRIPCIÓN Y FUNCIÓN	OPERACIÓN
	ENCENDIDO / APAGADO Encendido y apagado del equipo	PARA "ENCENDER" <ul style="list-style-type: none"> ● Presionar el botón brevemente ● El aparato presentará el ajuste de humedad estándar. PARA "APAGAR" <ul style="list-style-type: none"> ● Retire la máscara ● Presione brevemente el botón
	MODO PROGRESIVO Reduce la presión a un nivel inferior para ayudar al paciente a dormir. La presión volverá gradualmente a la presión de operación total en 20 minutos	Poner en funcionamiento el modo progresivo <ul style="list-style-type: none"> ● Presionar el botón Nota.: para reajustar el modo progresivo durante el ciclo, es necesario primero apagar el equipo. Para " APAGAR " <ul style="list-style-type: none"> ● Presione el botón
	AUMENTAR / DISMINUIR Para ajustar los niveles bajado o subido	<ul style="list-style-type: none"> ● Utilizar el botón y para aumentar o bajar los ajustes.
	MODO Avance las opciones	<ul style="list-style-type: none"> ● Pulse en secuencia por avanzar las opciones

MENÚ PACIENTE	PANTELLA	OPERACIÓN
Para visualizar puntos, humedad, cumplimiento, altitud y presión		PARA VISUALIZAR PUNTOS Presionar la tecla para visualizar en secuencia:
		<ul style="list-style-type: none"> ● Ajuste de la humedad (ajuste estándar) Para cambiar los niveles de humedad para minimizar los efectos colaterales a las vías respiratorias superiores debido al uso de CPAP Modifique la temperatura suministrada utilizando las teclas y
	hr	<ul style="list-style-type: none"> ● Tiempo total de funcionamiento Presenta el número total de horas que el equipo estuvo encendido (incluso el número de horas en que la máscara no ha sido utilizada)
	hr/☾	<ul style="list-style-type: none"> ● Promedio de horas de uso por noche* Presenta el número promedio de horas en que el equipo ha sido utilizado con la máscara
		<ul style="list-style-type: none"> ● El total de control * Presenta la información referente a la conformidad para uso médico o para el distribuidor
		<ul style="list-style-type: none"> ● Ajuste de altitud Presenta el ajuste de altitud
	cmH ₂ O	<ul style="list-style-type: none"> ● Ajuste de la presión Presenta el ajuste de presión

MENÚ PACIENTE: Ajustes adicionales	PANTELLA	OPERACIÓN
<ul style="list-style-type: none"> ● Para acceder a ajustes adicionales: Desde el ajuste estándar "HUMEDAD" Presione la tecla durante 3 segundos ● Para visualizar los puntos que siguen: Presione la tecla 		<ul style="list-style-type: none"> ● Unidad de altitud Seleccione "m" de metros o "p" de pies utilizando las teclas o
	3000	<ul style="list-style-type: none"> ● Ajuste de altitud <ul style="list-style-type: none"> - Presione para modificar la altitud - Ajustar el nivel de altitud presionando las teclas o - Presione para salir del menú PRECAUCIÓN: No elegir la altitud correcta (para una ubicación en particular) tendrá un efecto adverso en el suministro de presión.
	cmH ₂ O	<ul style="list-style-type: none"> ● Presión actual Presenta el presión actual PRECAUCIÓN: Únicamente disponible en equipos con Ajuste Automático de Altitud/Característica de Compensación de Fuga

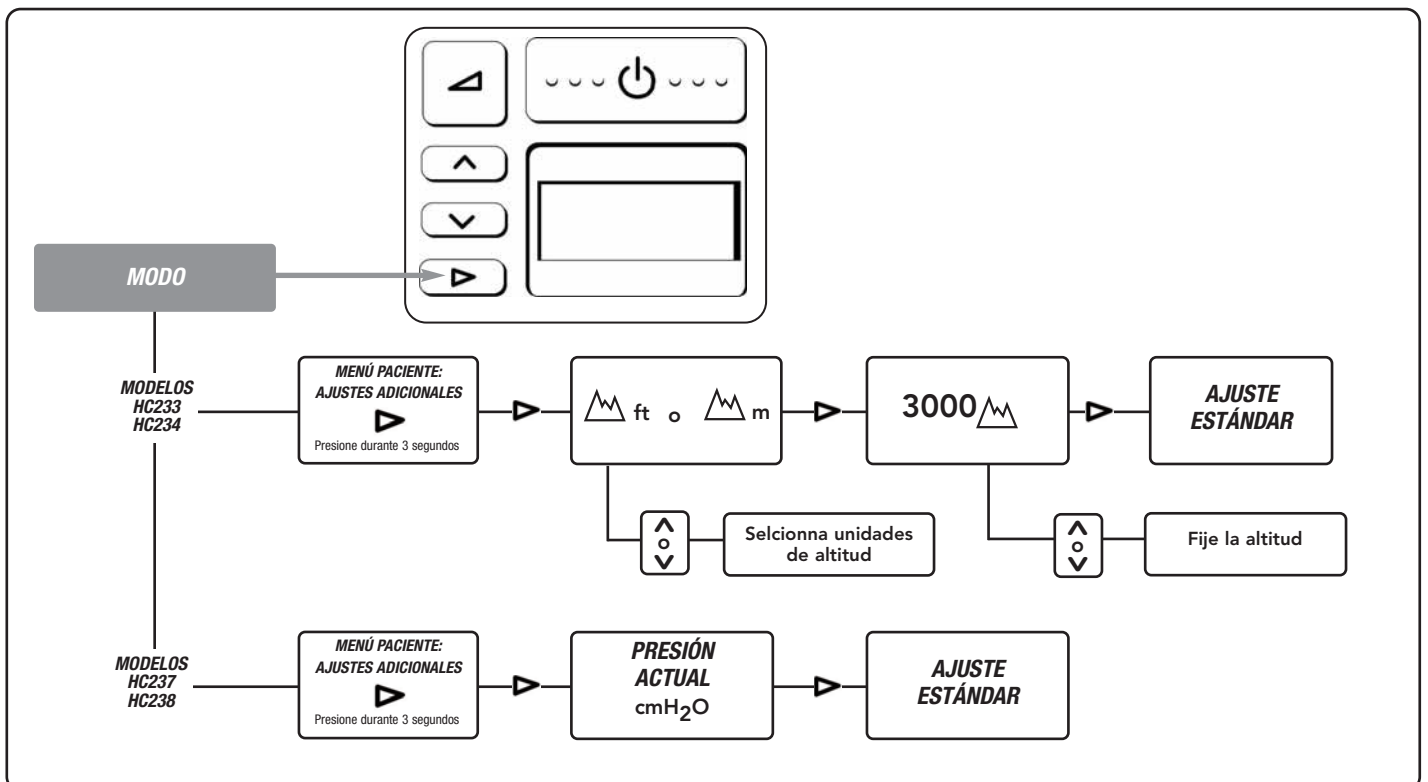
- **Precaución:** Las unidades que contienen el Ajuste manual de la altitud/Característica de Compensación de Fuga, no tienen la característica de ajuste manual de altitud
- ***** Solo disponible en aquellos equipos que posean Monitoreamiento de conformidad

8.2 RESUMEN DEL MENÚ DE PACIENTE - RANGO CPAP INTEGRADO



* Solo disponible en aquellos equipos que posean Monitoreamiento de conformidad

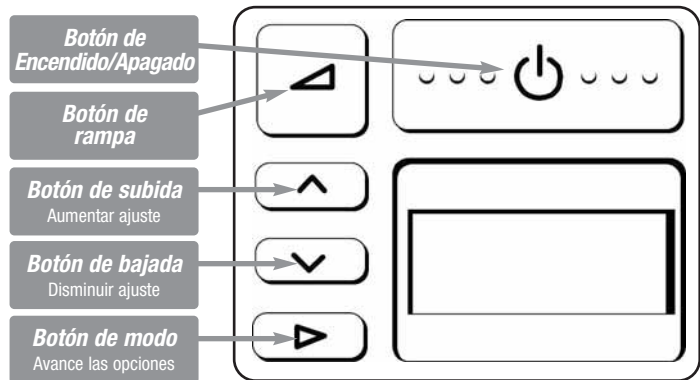
8.3 MENU DEL PACIENTE - RESUMEN DE LOS AJUSTES ADICIONALES - RANGO CPAP INTEGRADO



● **Precaución:** No elegir la altitud correcta tendrá un efecto adverso en el suministro de presión

9. CONTROLES Y PANTALLA - RANGO CPAP ESTÁNDAR

9.1 PANTALLA: DESCRIPCIÓN Y FUNCIÓN



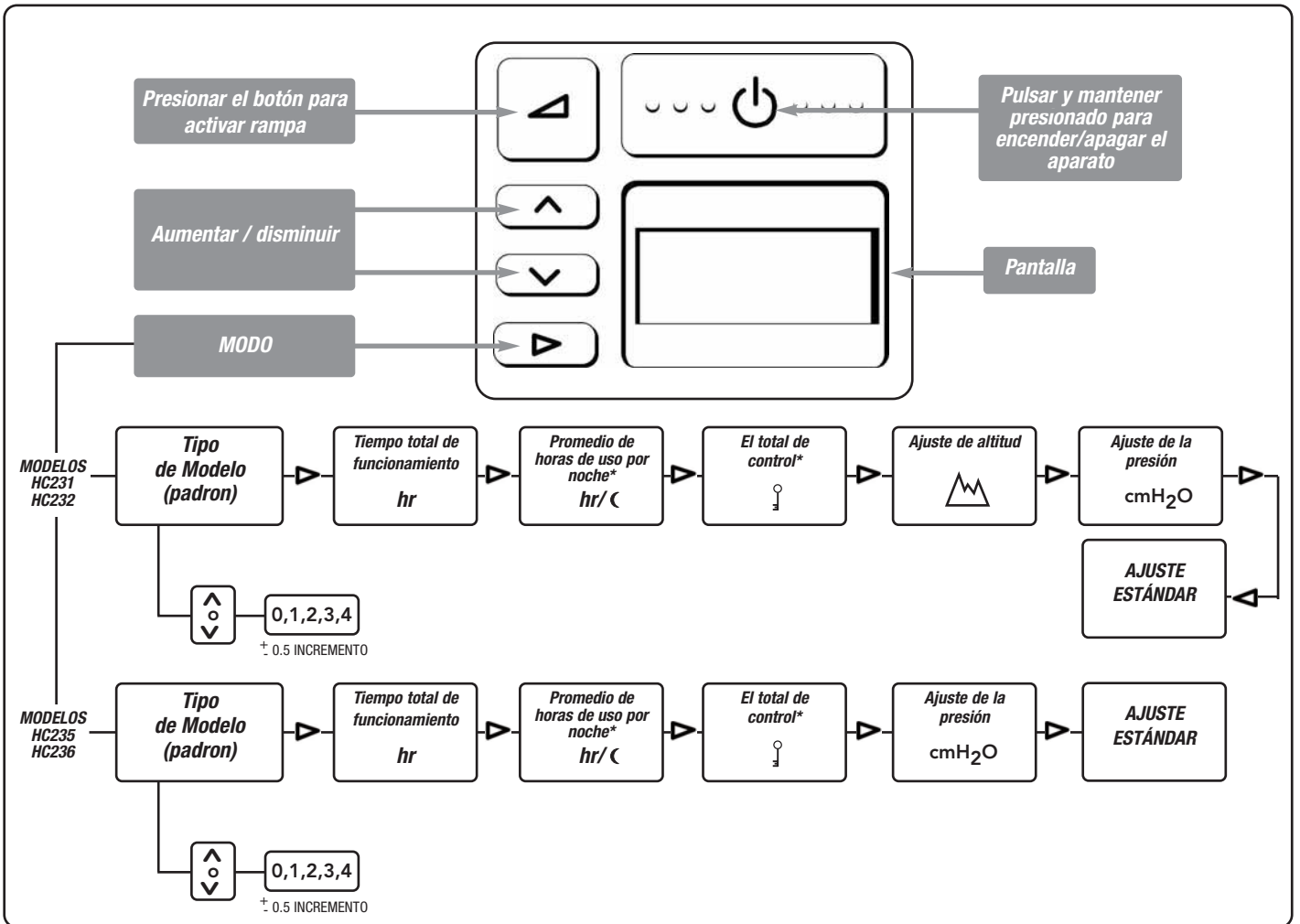
BOTÓN	DESCRIPCIÓN Y FUNCIÓN	OPERACIÓN
	ENCENDIDO / APAGADO Encendido y apagado del equipo	PARA "ENCENDER" <ul style="list-style-type: none"> ● Presionar el botón brevemente ● El aparato presentará el ajuste de humedad estándar. PARA "APAGAR" <ul style="list-style-type: none"> ● Retire la máscara ● Presione brevemente el botón
	MODO PROGRESIVO Reduce la presión a un nivel inferior para ayudar al paciente a dormir. La presión volverá gradualmente a la presión de operación total en 20 minutos	Poner en funcionamiento el modo progresivo <ul style="list-style-type: none"> ● Presionar el botón Nota.: para reajustar el modo progresivo durante el ciclo, es necesario primero apagar el equipo. Para " APAGAR " <ul style="list-style-type: none"> ● Presione el botón
	AUMENTAR / DISMINUIR Para ajustar los niveles bajado o subido	<ul style="list-style-type: none"> ● Utilizar el botón y para aumentar o bajar los ajustes.
	MODO Avance las opciones	<ul style="list-style-type: none"> ● Pulse en secuencia por avanzar las opciones

MENÚ PACIENTE	PANTELLA	OPERACIÓN
Para visualizar puntos, humedad, cumplimiento, altitud y presión		PARA VISUALIZAR PUNTOS Presionar la tecla para visualizar en secuencia:
	23x	<ul style="list-style-type: none"> ● Tipo de Modelo (Pantalla padron) Presenta el Tipo de Modelo como ajuste padron
	hr	<ul style="list-style-type: none"> ● Tiempo total de funcionamiento Presenta el número total de horas que el equipo estuvo encendido (incluso el número de horas en que la máscara no ha sido utilizada)
	hr/°C	<ul style="list-style-type: none"> ● Promedio de horas de uso por noche* Presenta el número promedio de horas en que el equipo ha sido utilizado con la máscara
		<ul style="list-style-type: none"> ● El total de control * Presenta la información referente a la conformidad para uso médico o para el distribuidor
		<ul style="list-style-type: none"> ● Ajuste de altitud Presenta el ajuste de altitud
	cmH₂O	<ul style="list-style-type: none"> ● Ajuste de la presión Presenta el ajuste de presión

MENÚ PACIENTE: Ajustes adicionales	PANTELLA	OPERACIÓN
<ul style="list-style-type: none"> ● Para acceder a ajustes adicionales: Desde el ajuste padrón Presione la tecla durante 3 segundos ● Para visualizar los puntos que siguen: Presione la tecla 		<ul style="list-style-type: none"> ● Unidad de altitud Seleccione "m" de metros o "p" de pies utilizando las teclas o
	3000	<ul style="list-style-type: none"> ● Ajuste de altitud <ul style="list-style-type: none"> - Presione para modificar la altitud - Ajustar el nivel de altitud presionando las teclas o - Presione para salir del menú PRECAUCIÓN: No elegir la altitud correcta (para una ubicación en particular) tendrá un efecto adverso en el suministro de presión.
	cmH₂O	<ul style="list-style-type: none"> ● Presión actual Presenta el presión actual PRECAUCIÓN: Únicamente disponible en equipos con Ajuste Automático de Altitud/Característica de Compensación de Fuga

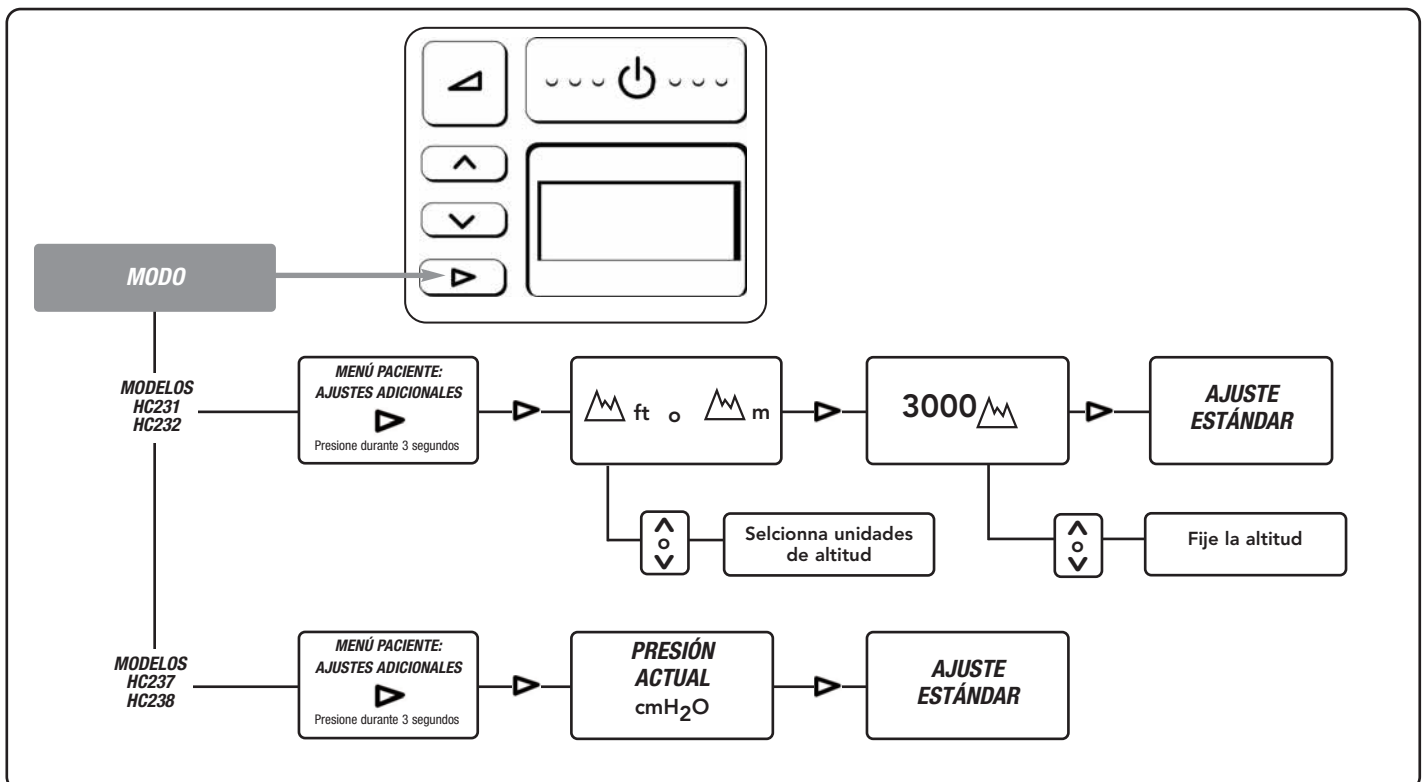
- **Precaución:** Las unidades que contienen el Ajuste manual de la altitud/Característica de Compensación de Fuga, no tienen la característica de ajuste manual de altitud
- * Solo disponible en aquellos equipos que posean Monitoreamiento de conformidad

9.2 RESUMÉN DEL MENÚ DEL PACIENTE - RANGO CPAP ESTÁNDAR



* Solo disponible en aquellos equipos que posean Monitoreamiento de conformidad

9.3 MENÚ DEL PACIENTE: RESUMEN DE AJUSTES ADICIONALES - RANGO CPAP ESTÁNDAR



● **Precaución:** No elegir la altitud correcta tendrá un efecto adverso en el suministro de presión

10. PREGUNTAS MÁS FRECUENTES

● Para equipos CPAP integrados:

a. ¿Cuando me despierto por la mañana siento la nariz y la garganta secas. ¿Qué puedo hacer?

Intente aumentar el ajuste en su control de humedad. Si esto no ayuda, tenga a bien consultar a su médico.

b. ¿Cómo se puede evitar la condensación en el tubo?

El control de humedad hace posible el ajuste del nivel de humedad de forma que debería haber una fina condensación en los 15 cm del tubo más cercanos a su cara. Si el control de humedad estuviera demasiado alto para la condiciones ambientales, es posible que se forme condensación en el tubo de respiración.

Nota: El uso de un tubo de más de 183 cm (6 pdas) largo incrementará la condensación.

Há varias maneras de reducir a condensação no tubo.

- i. Asegúrese de que el dispositivo Serie HC230 no se encuentre en una posición en la que esté expuesto a una corriente fría.
- ii. Disminuya levemente el control de temperatura en su equipo. Disminuya gradualmente el ajuste hasta que la condensación desaparezca.
- ii. Caliente el aire de la habitación.

c. ¿Es necesario usar agua destilada con el aparato?

El uso de agua destilada prolongará la vida útil de la cámara de agua. El agua del grifo a menudo contiene minerales que pueden dañar la cámara picando la base, incluso cuando se filtre el agua.

d. ¿Cuándo se debe cambiar la cámara de agua?

Cambie la cámara si las paredes de plástico de la cámara se agrietaran u opacaran o si la base de la cámara se picara. (Nota: Si se advirtiera la más mínima fuga, la cámara deberá cambiarse inmediatamente.

● ¿Se puede utilizar el equipo en otros países?

Sí. Simplemente utilice el adaptador de enchufe eléctrico apropiado y el aparato serie el equipo se adaptará automáticamente al voltaje de cualquier suministro. Nota: Cuando mueva su equipo, asegúrese de que la cámara de agua se encuentre vacía. Las fallas de la máquina debidas a daños provocados por agua no están cubiertas por la garantía.

● ¿Se puede utilizar oxígeno complementario con el aparato el equipo?

Sí, se puede administrar oxígeno directamente a través de la mascarilla. Encienda el aparato el equipo antes de abrir el paso del oxígeno. Asegúrese de que la fuente de oxígeno esté cerrada antes de apagar el aparato el equipo para evitar la acumulación de oxígeno en la máquina.

10. ESPECIFICACIONES DEL PRODUCTO

DIMENSIONES:	273mm x 170mm x 140mm
PESO:	1,9kg (3,0kg empaquetados en bolsa incluyendo accesorios)
ESPECIFICACIONES ELÉCTRICAS	
Frecuencia de alimentación:	50-60 Hz
Voltaje y corriente de alimentación:	100-115V (1,2A, máx. 1,3A), 220-240V (0,8A, máx. 1,8A) Nota: Estos valores representan la corriente promedio.
Invertidor:	Sobrevoltaje 115V - 200W/300W, sobrevoltaje 230V - 300W/500W
Placa del Calentador:	Max 85W
Temperatura del plato calentador:	65°C (149°F) máx
RENDIMIENTO	
Rango de presión	4 to 20 cmH ₂ O
Rango de altitud	0 to 3000m, or 0 to 9000 ft

CUMPLIMIENTO DE NORMAS

Diseñado para cumplir con las exigencias de:

EN / IEC 60601-1
UL60601-1
CSA C22.2/No.601.1
AS3200.1.0

El equipo cumple con los requisitos de compatibilidad electromagnética de IEC 60601-1-2. En algunas circunstancias, el equipo podrá afectar o verse afectado por equipo cercano debido a los efectos de interferencia electromagnética. En caso de que esto ocurra, pruebe mover su unidad o el dispositivo que está causando interferencias, o bien consulte a su proveedor de asistencia domiciliaria.

12. CONDICIONES DE OPERACIÓN

TEMPERATURA AMBIENTE: 5 a 35°C

HUMEDAD: 10 a 95% de RH

ALTITUD: 0 - 3000m (9000 pies).

A más de 500m (1500 pies) se reducirá el máximo de presión de funcionamiento.

13. CONDICIONES DE ALMACENAMIENTO Y TRANSPORTE

El aparato del equipo deberá almacenarse y transportarse en las siguientes condiciones ambientales: -10 a 60° C

14. SOLUCIÓN DE PROBLEMAS

Si tiene la impresión de que su el equipo no está funcionando como debiera, consulte a su distribuidor de productos para el cuidado domiciliario. No intente reparar el equipo usted mismo.

Fisher & Paykel Healthcare tiene una política de mejoramiento constante de sus productos y se reserva el derecho de alterar las especificaciones sin previo aviso

15. APENDICE

El cuadro a continuación indica las principales diferencias en características entre los productos de la série HC230.

Características	MODELO							
	HC231	HC232	HC233	HC234	HC235	HC236	HC237	HC238
CPAP Estándar	✓	✓			✓	✓		
CPAP Totalmente Integrado Con Humidificación Calentada			✓	✓			✓	✓
Monitoreo de Adhesión		✓		✓		✓		✓
Ajuste Auto de la Altitud					✓	✓	✓	✓
Compensación de Fuga					✓	✓	✓	✓
Ambient Tracking PLUS			✓	✓			✓	✓
Progresivo Proporcional	✓	✓	✓	✓	✓	✓	✓	✓

Nota:

- Es posible que algunos modelos no se encuentren disponibles a la venta en ciertos países

Fisher & Paykel

HEALTHCARE

Fisher & Paykel Healthcare Offices:

INTERNATIONAL P O Box 14 348, Panmure, Auckland 1134, New Zealand Tel:+64 9 574 0100 Fax:+64 9 574 0158 Email: info@fphcare.com Web Site: www.fphcare.com
USA Tel: 1800 446 3908 or +1 949 470 3900 Fax:+1 949 470 3933 **AUSTRALIA** Tel:+61 3 9879 5022 Fax:+61 3 9879 5232 **AUSTRIA** Tel: 0800 29 31 23 Fax: 0800 29 31 22
BENELUX Tel:+31 78 644 0924 Fax:+31 78 644 0914 **CHINA** Tel:+86 20 8363 4286 Fax:+86 20 8363 3595 **FRANCE** Tel:+33 1 6446 5201 Fax:+33 1 6446 5221
GERMANY Tel:+49 7182 93777 0 Fax:+49 7182 93777 99 **INDIA** Tel:+91 80 51236041 Fax:+91-80-51236044 **IRISH REPUBLIC** Tel: 1800 409 011 **ITALY** Tel:+39 06 7839 2939
Fax:+39 06 7814 7709 **JAPAN** Tel:+81 3 3661 7205 Fax:+81 3 3661 7206 **SPAIN** Tel:+34 902 013 346 Fax:+34 902 013 379 **SWITZERLAND** Tel: 0800 83 47 63 Fax: 0800 83 47 54
UK (EU Authorised Representative) Tel:+44 1628 626 136 Fax:+44 1628 626 146 **Nthn Ireland** Tel: 0800 132 189